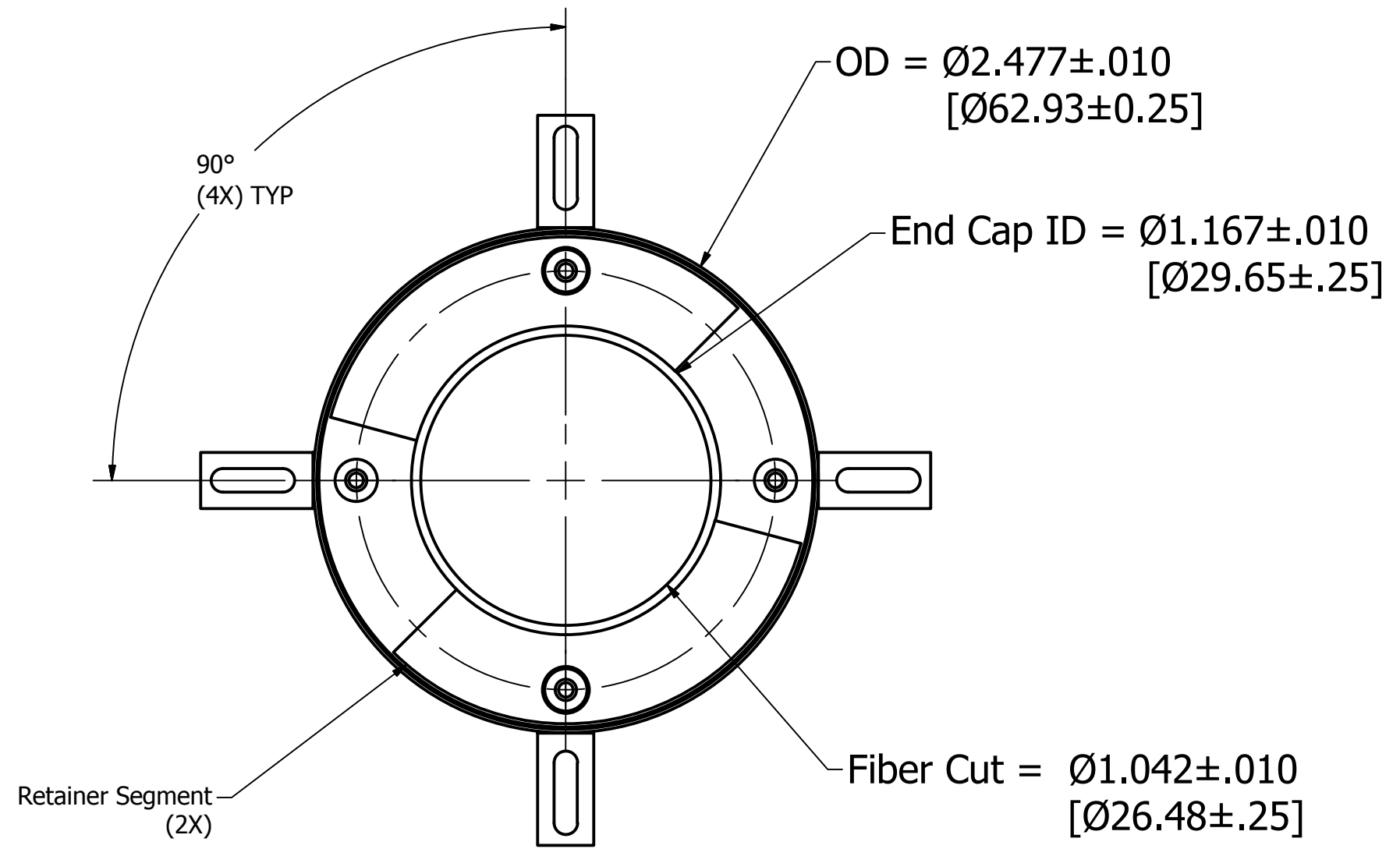
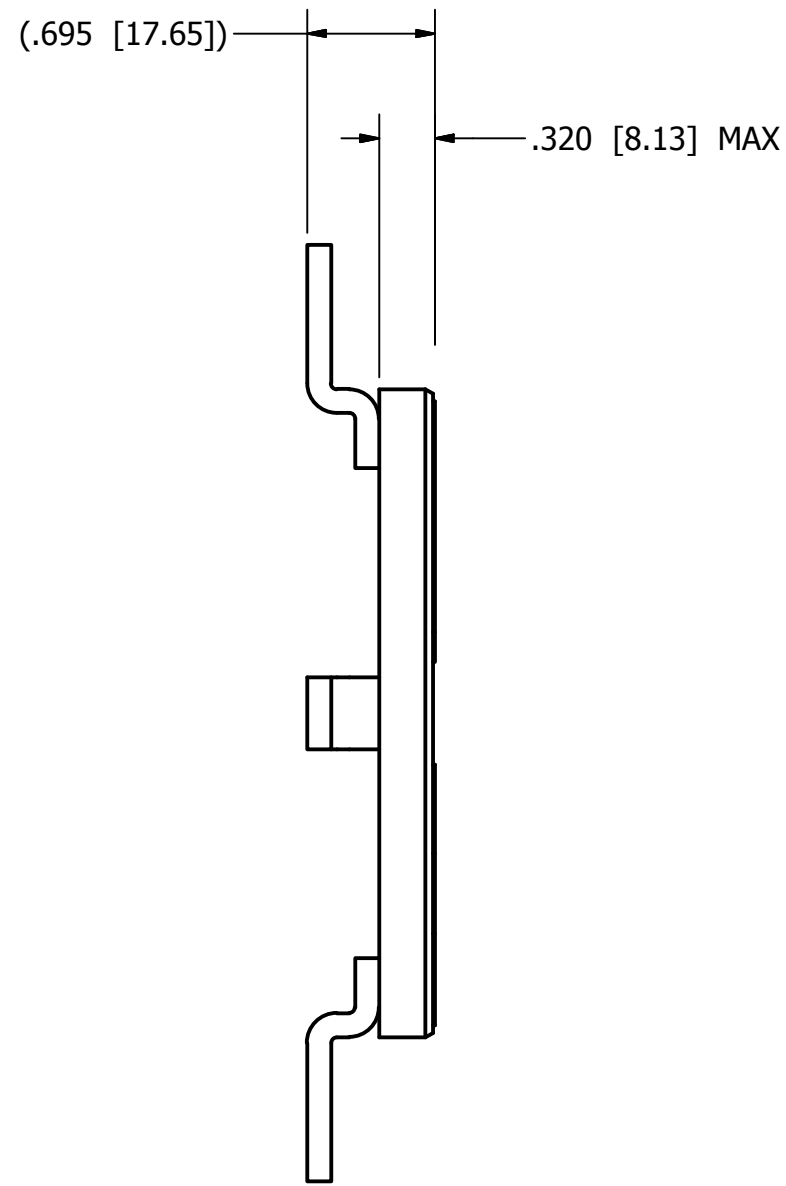
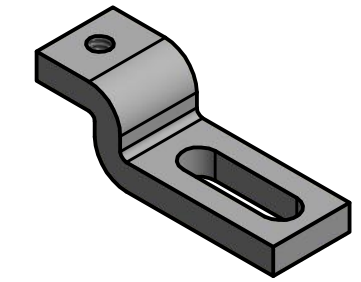


Not Drawn to Scale

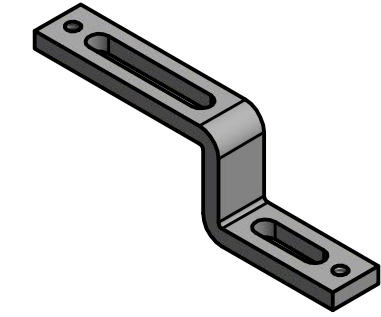


Bracket Shown on Drawing



A-97000-18

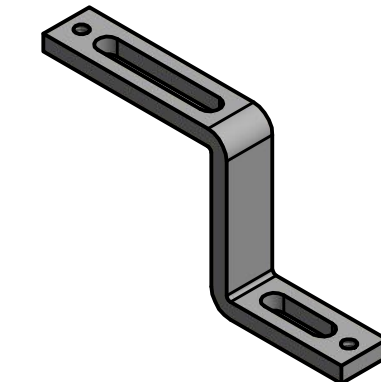
Mtg Bolt Circle: Ø2.877 -- Ø3.677
[Ø73.09] [Ø93.41]



**A-97000-22
(Reversible)**

Mtg Bolt Circle: Ø4.177 (normal) -- Ø5.852 [Ø106.11] [Ø148.65]

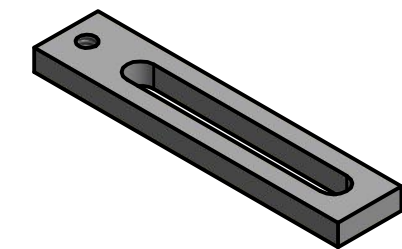
Mtg Bolt Circle: Ø5.052 (reversed) -- Ø5.852 [Ø128.33] [Ø148.65]



**A-97000-23
(Reversible)**

Mtg Bolt Circle: Ø4.177 (normal) -- Ø5.852 [Ø106.11] [Ø148.65]

Mtg Bolt Circle: Ø5.052 (reversed) -- Ø5.852 [Ø128.33] [Ø148.65]



A-97000-20

Mtg Bolt Circle: Ø4.177 -- Ø5.852 [Ø106.11] [Ø148.65]

Notes:

AEGIS SGR-28.0-UKIT-2A4 Includes

- (1) AEGIS SGR Bearing Protection Ring
- (4) Universal brackets Of Each size (16 total)
- (4) 5-40 x 3/8 Flat Head Cap Screws
- (4) M4 x .7 x 10mm Socket Head Cap Screws
- (4) M4 Flat Washers
- (4) M4 Split Lock Washers
- 5/64" Allen Wrench
- 3mm Allen Wrench

Patented Technology US Patent 8,199,453; 8,169,766; 7,193,836

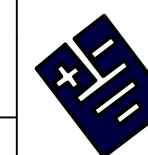
THEREIN, ARE THE EXCLUSIVE PROPERTY OF ELECTRO STATIC TECHNOLOGY ISSUED IN STRICT CONFIDENCE AND SHALL NOT WITHOUT CONSENT, BE REPRODUCED, COPIED OR USED FOR ANY PURPOSE WHATSOEVER, EXCEPT BUSINESS WITH E.S.T.

UNLESS OTHERWISE SPECIFIED
DIMENSIONS ARE IN:
inch [mm]

UNTOLERANCED DIMENSIONS
± .020 [0.5mm]

DATE: 7/16/2015

ENGINEER: A. Gen



ELECTRO STATIC TECHNOLOGY
AN ITW COMPANY

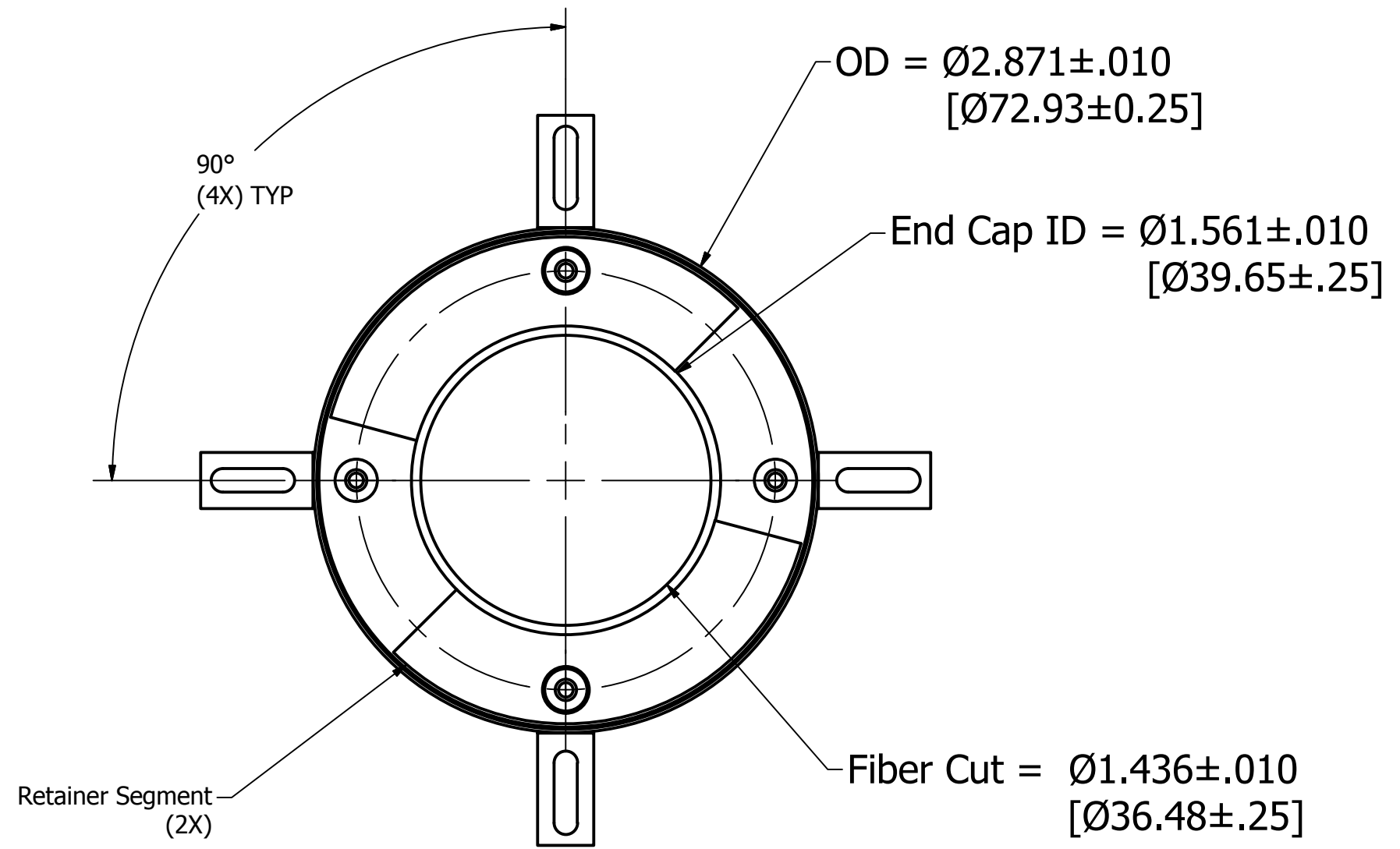
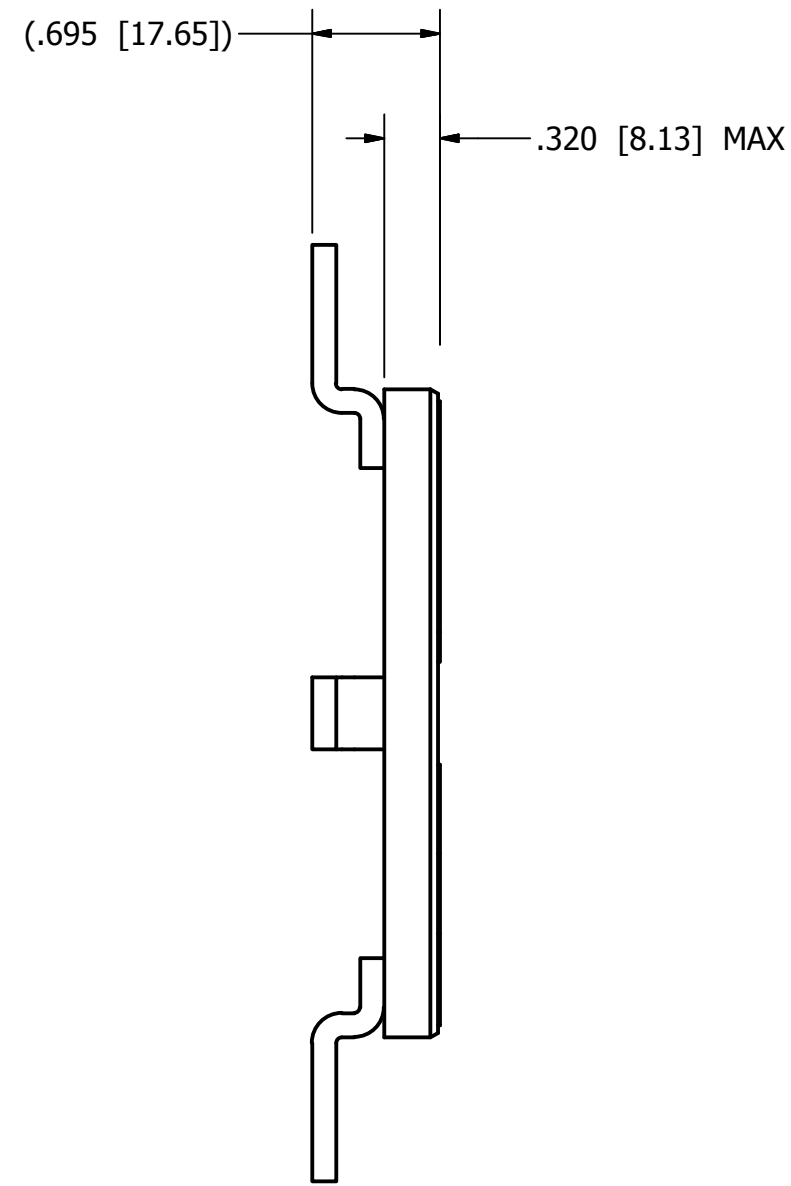
31 WINTERBROOK ROAD, MECHANIC FALLS, MAINE 04256
PHONE (207)998-5140 FAX (207)998-5143

To Suit 28mm Shaft Diameter

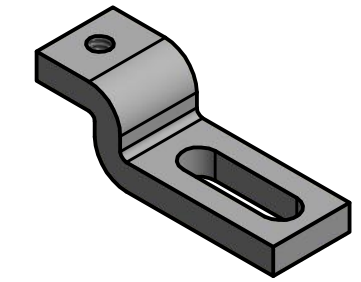
PART NUMBER: **SGR-28.0-UKIT-2A4**

REV **A**

Not Drawn to Scale

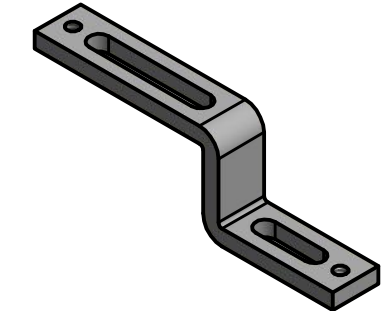


Bracket Shown on Drawing



A-97000-18

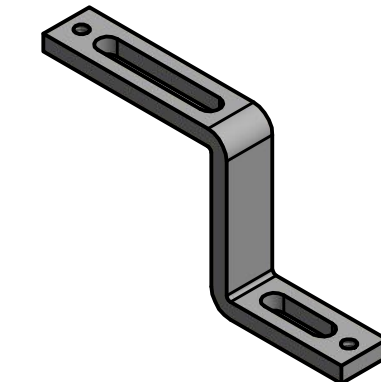
Mtg Bolt Circle: Ø3.271 -- Ø4.071
[Ø83.09] [Ø103.41]



A-97000-22
(Reversible)

Mtg Bolt Circle: Ø4.571 -- Ø6.246
(normal) [Ø116.11] [Ø158.65]

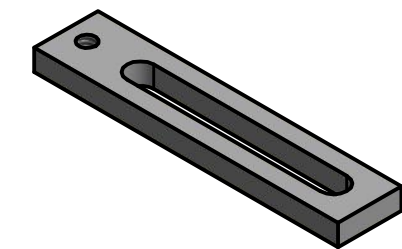
Mtg Bolt Circle: Ø5.446 -- Ø6.246
(reversed) [Ø138.33] [Ø158.65]



A-97000-23
(Reversible)

Mtg Bolt Circle: Ø4.571 -- Ø6.246
(normal) [Ø116.11] [Ø158.65]

Mtg Bolt Circle: Ø5.446 -- Ø6.246
(reversed) [Ø138.33] [Ø158.65]



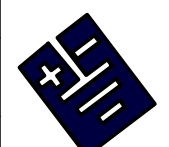
A-97000-20

Mtg Bolt Circle: Ø4.571 -- Ø6.246
[Ø116.11] [Ø158.65]

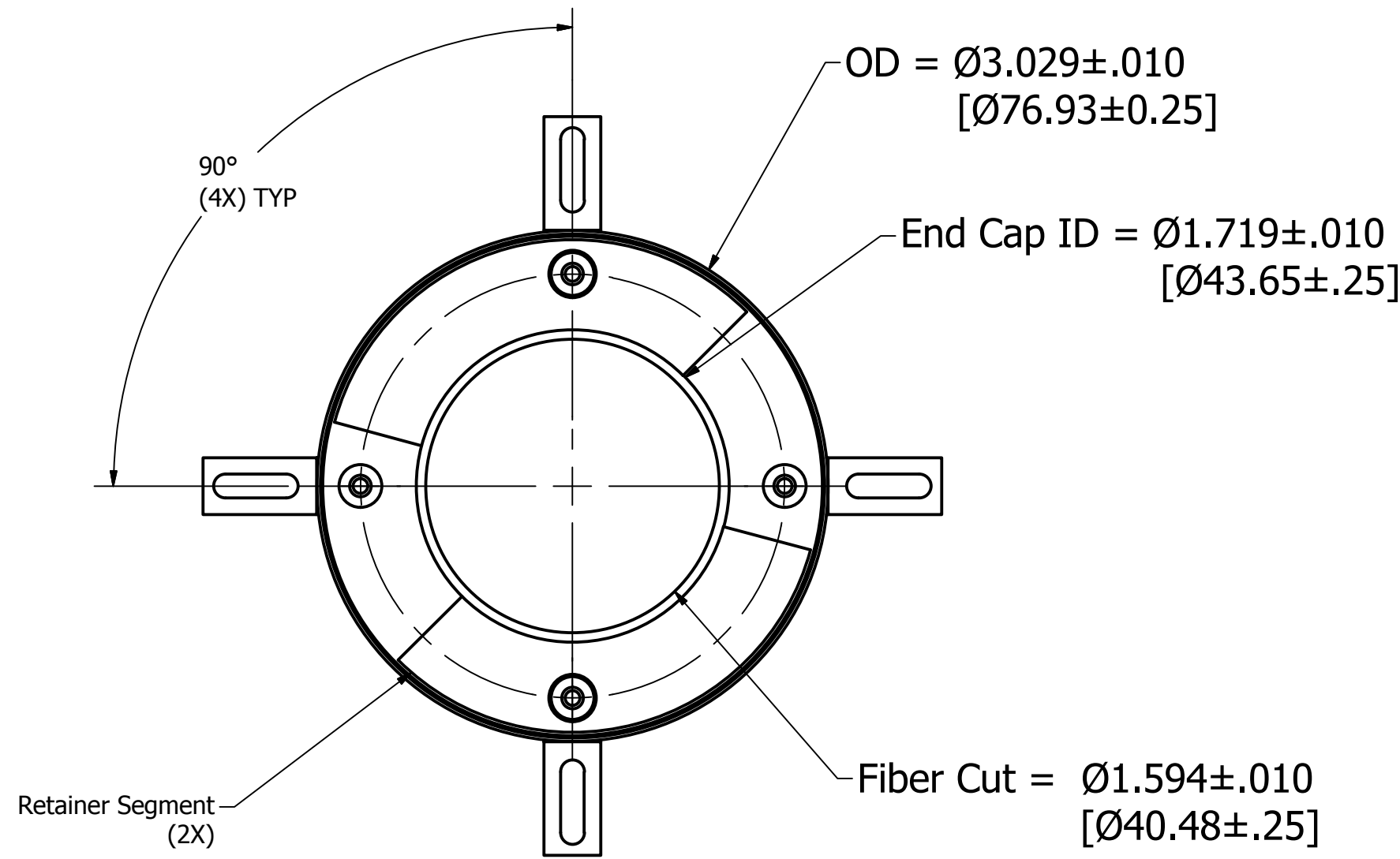
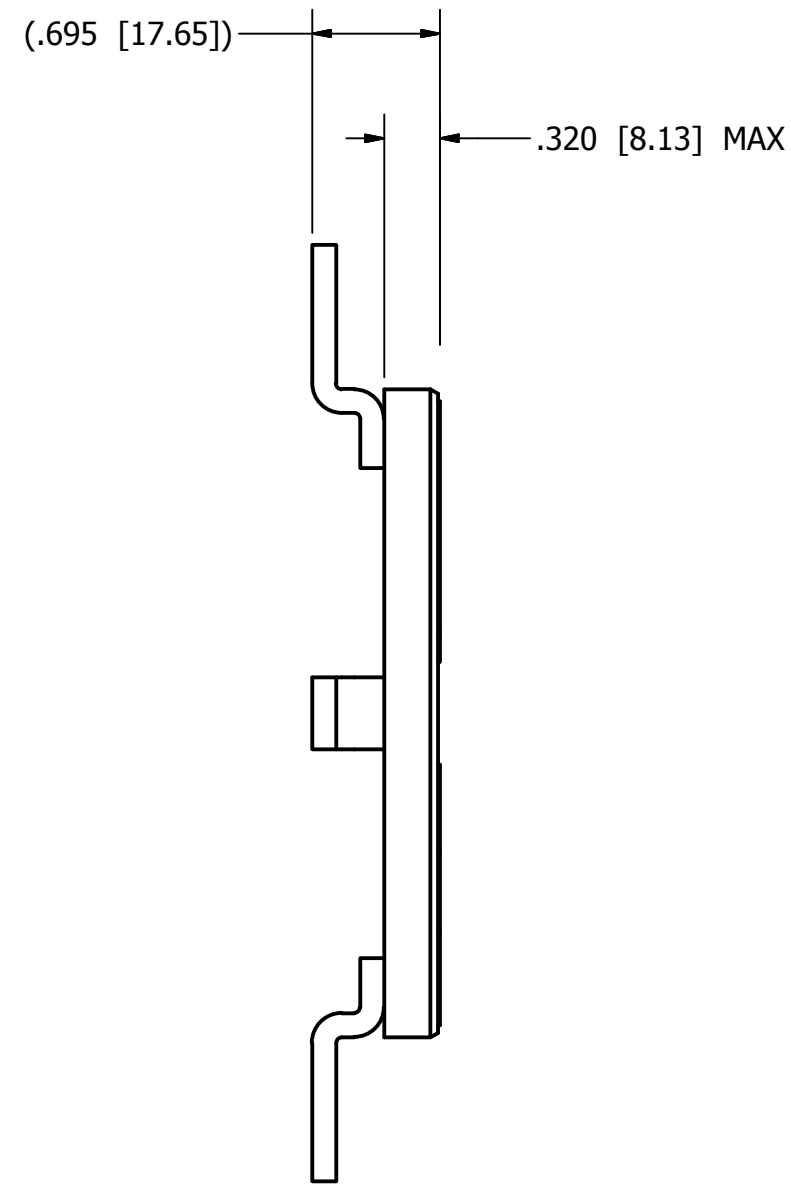
Notes:

- AEGIS SGR-38.0-UKIT-2A4 Includes
- (1) AEGIS SGR Bearing Protection Ring
 - (4) Universal brackets Of Each size (16 total)
 - (4) 5-40 x 3/8 Flat Head Cap Screws
 - (4) M4 x .7 x 10mm Socket Head Cap Screws
 - (4) M4 Flat Washers
 - (4) M4 Split Lock Washers
 - 5/64" Allen Wrench
 - 3mm Allen Wrench

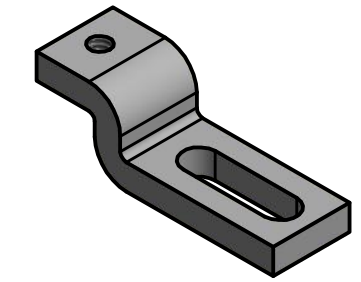
Patented Technology US Patent 8,199,453; 8,169,766; 7,193,836

THEREIN, ARE THE EXCLUSIVE PROPERTY OF ELECTRO STATIC TECHNOLOGY ISSUED IN STRICT CONFIDENCE AND SHALL NOT WITHOUT CONSENT, BE REPRODUCED, COPIED OR USED FOR ANY PURPOSE WHATSOEVER, EXCEPT BUSINESS WITH E.S.T.	
UNLESS OTHERWISE SPECIFIED DIMENSIONS ARE IN: inch [mm]	 ELECTRO STATIC TECHNOLOGY AN ITW COMPANY
UNTOLERANCED DIMENSIONS ± .020 [0.5mm]	
DATE: 7/16/2015	31 WINTERBROOK ROAD, MECHANIC FALLS, MAINE 04256 PHONE (207)998-5140 FAX (207)998-5143
ENGINEER: A. Gen	To Suit 38mm Shaft Diameter PART NUMBER: SGR-38.0-UKIT-2A4 REV A

Not Drawn to Scale

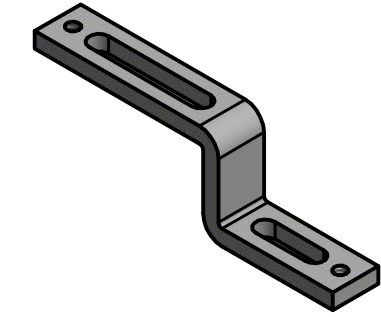


Bracket Shown on Drawing



A-97000-18

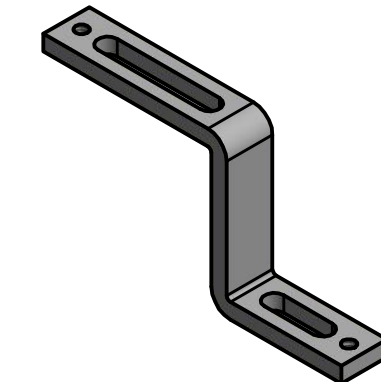
Mtg Bolt Circle: Ø3.429 -- Ø4.229
[Ø87.09] [Ø107.41]



**A-97000-22
(Reversible)**

Mtg Bolt Circle: Ø4.729 (normal) -- Ø6.404 [Ø120.11] [Ø162.65]

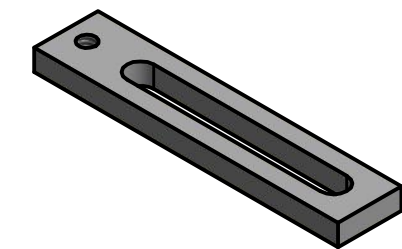
Mtg Bolt Circle: Ø5.604 (reversed) -- Ø6.404 [Ø142.33] [Ø162.65]



**A-97000-23
(Reversible)**

Mtg Bolt Circle: Ø4.729 (normal) -- Ø6.404 [Ø120.11] [Ø162.65]

Mtg Bolt Circle: Ø5.604 (reversed) -- Ø6.404 [Ø142.33] [Ø162.65]



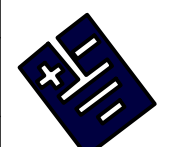
A-97000-20

Mtg Bolt Circle: Ø4.729 -- Ø6.404 [Ø120.11] [Ø162.65]

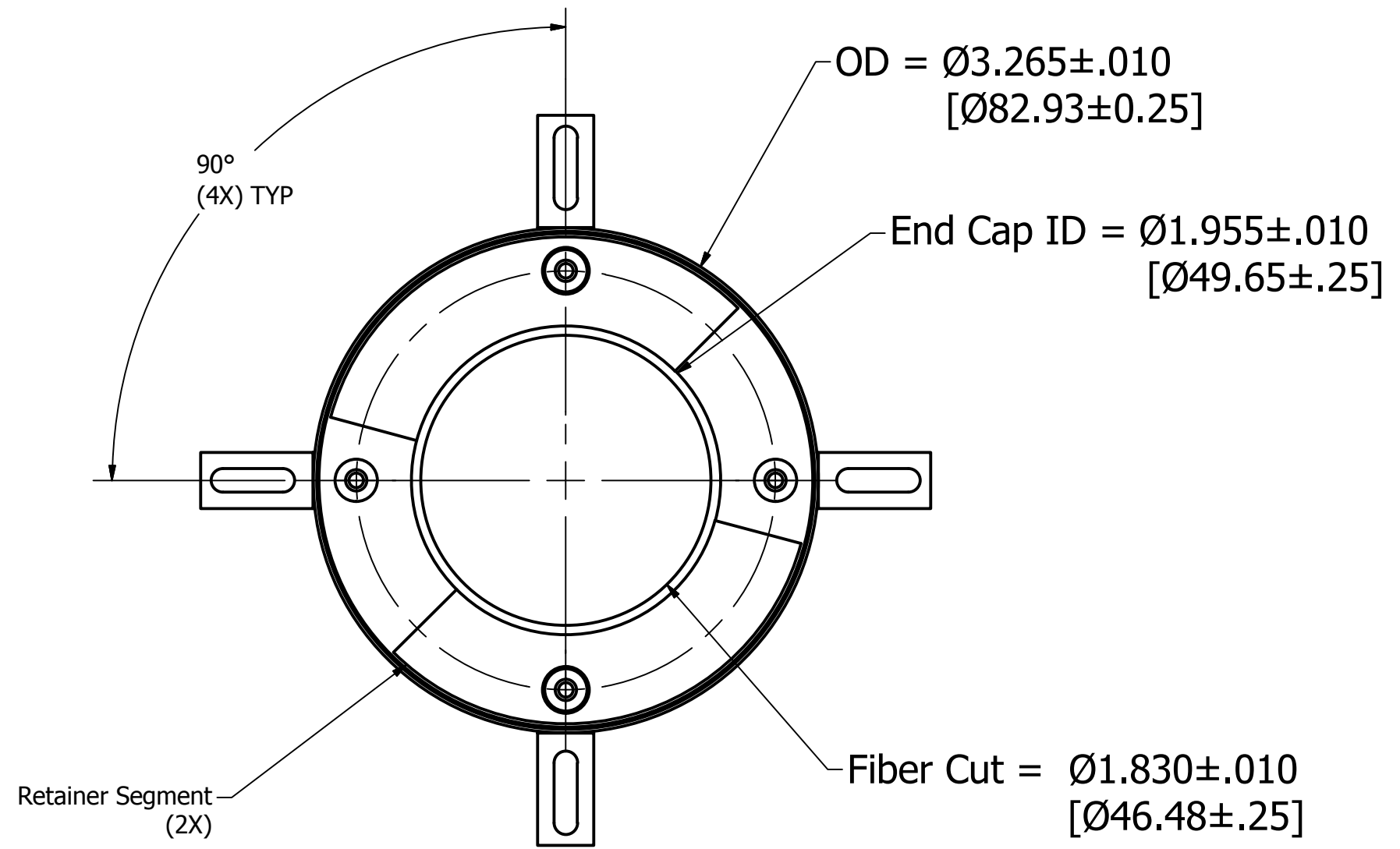
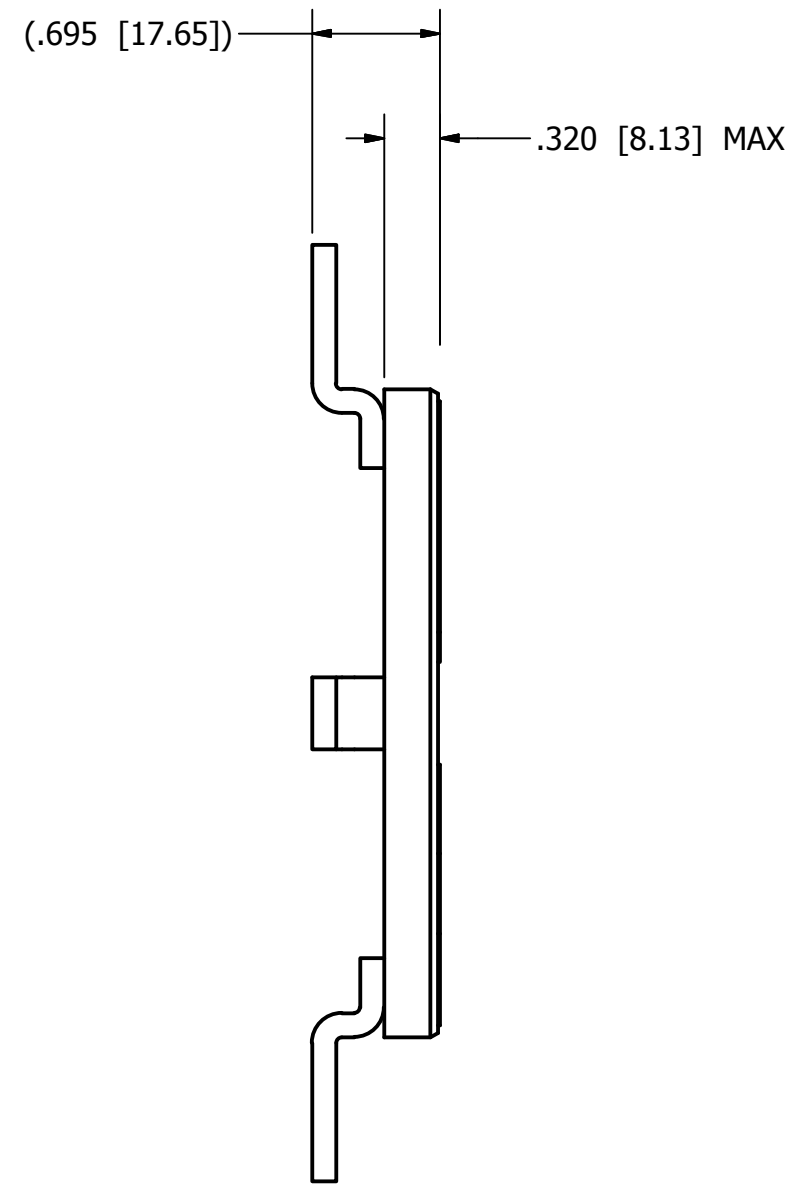
Notes:

- AEGIS SGR-42.0-UKIT-2A4 Includes
- (1) AEGIS SGR Bearing Protection Ring
 - (4) Universal brackets Of Each size (16 total)
 - (4) 5-40 x 3/8 Flat Head Cap Screws
 - (4) M4 x .7 x 10mm Socket Head Cap Screws
 - (4) M4 Flat Washers
 - (4) M4 Split Lock Washers
 - 5/64" Allen Wrench
 - 3mm Allen Wrench

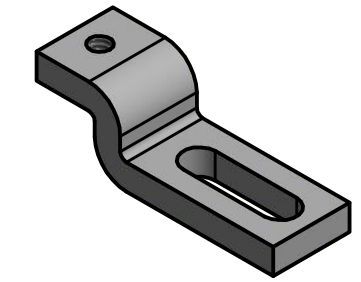
Patented Technology US Patent 8,199,453; 8,169,766; 7,193,836

THEREIN, ARE THE EXCLUSIVE PROPERTY OF ELECTRO STATIC TECHNOLOGY ISSUED IN STRICT CONFIDENCE AND SHALL NOT WITHOUT CONSENT, BE REPRODUCED, COPIED OR USED FOR ANY PURPOSE WHATSOEVER, EXCEPT BUSINESS WITH E.S.T.	
UNLESS OTHERWISE SPECIFIED DIMENSIONS ARE IN: inch [mm]	 ELECTRO STATIC TECHNOLOGY AN ITW COMPANY
UNTOLERANCED DIMENSIONS ± .020 [0.5mm]	
DATE: 7/16/2015	31 WINTERBROOK ROAD, MECHANIC FALLS, MAINE 04256 PHONE (207)998-5140 FAX (207)998-5143
ENGINEER: A. Gen	To Suit 42mm Shaft Diameter PART NUMBER: SGR-42.0-UKIT-2A4 REV A

Not Drawn to Scale

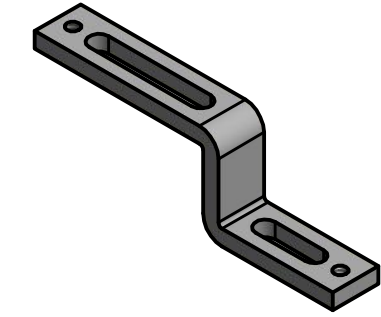


Bracket Shown on Drawing



A-97000-18

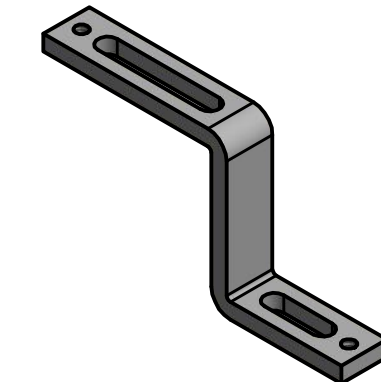
Mtg Bolt Circle: Ø3.665 -- Ø4.465
[Ø93.09] [Ø113.41]



A-97000-22
(Reversible)

Mtg Bolt Circle: Ø4.965 (normal) -- Ø6.640 [Ø126.11] [Ø168.65]

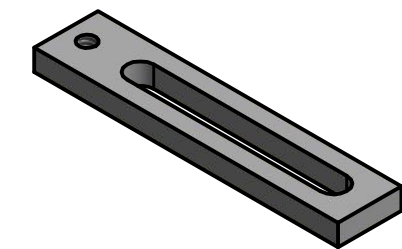
Mtg Bolt Circle: Ø5.840 (reversed) -- Ø6.640 [Ø148.33] [Ø168.65]



A-97000-23
(Reversible)

Mtg Bolt Circle: Ø4.965 (normal) -- Ø6.640 [Ø126.11] [Ø168.65]

Mtg Bolt Circle: Ø5.840 (reversed) -- Ø6.640 [Ø148.33] [Ø168.65]



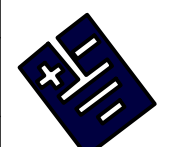
A-97000-20

Mtg Bolt Circle: Ø4.965 -- Ø6.640 [Ø126.11] [Ø168.65]

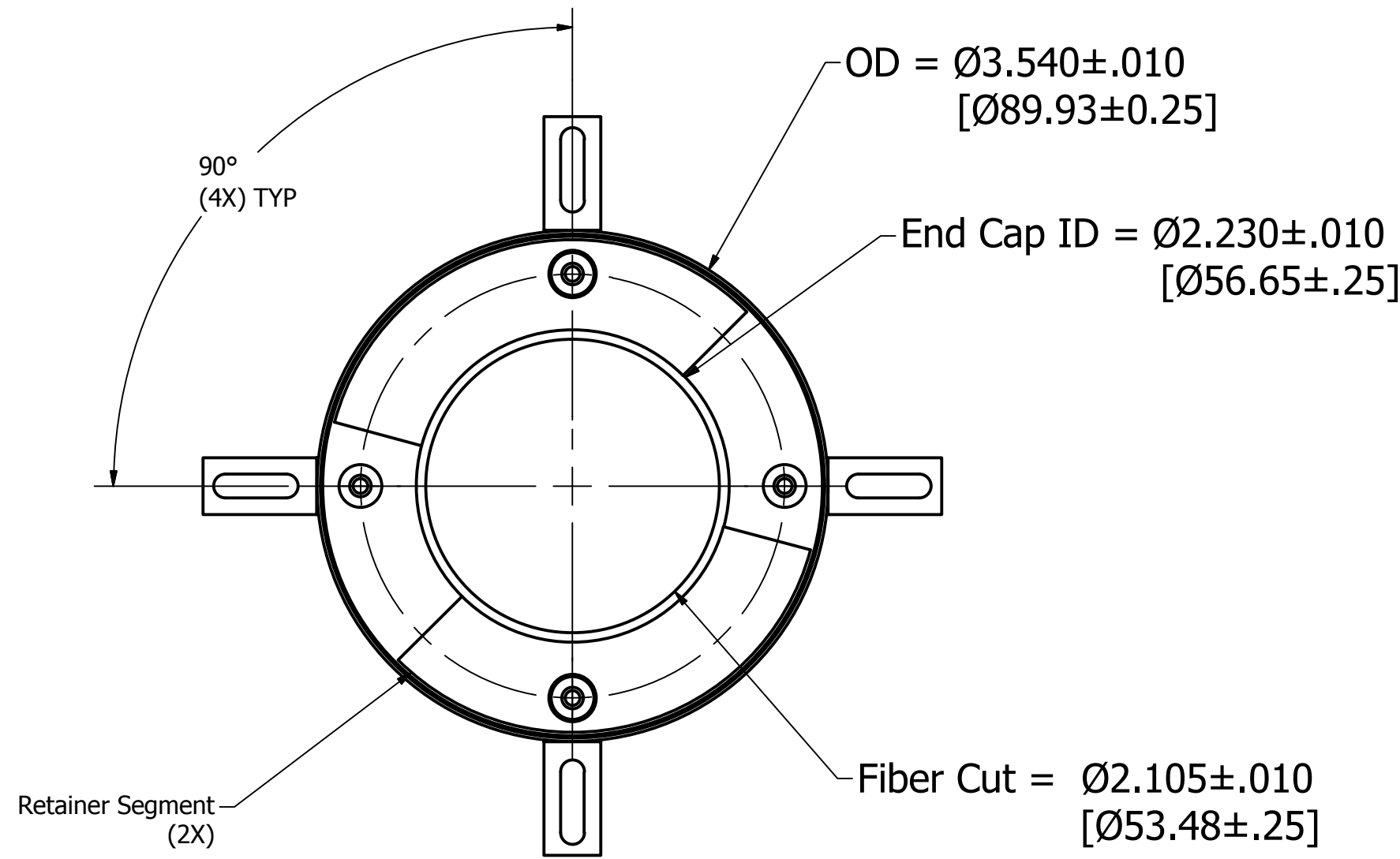
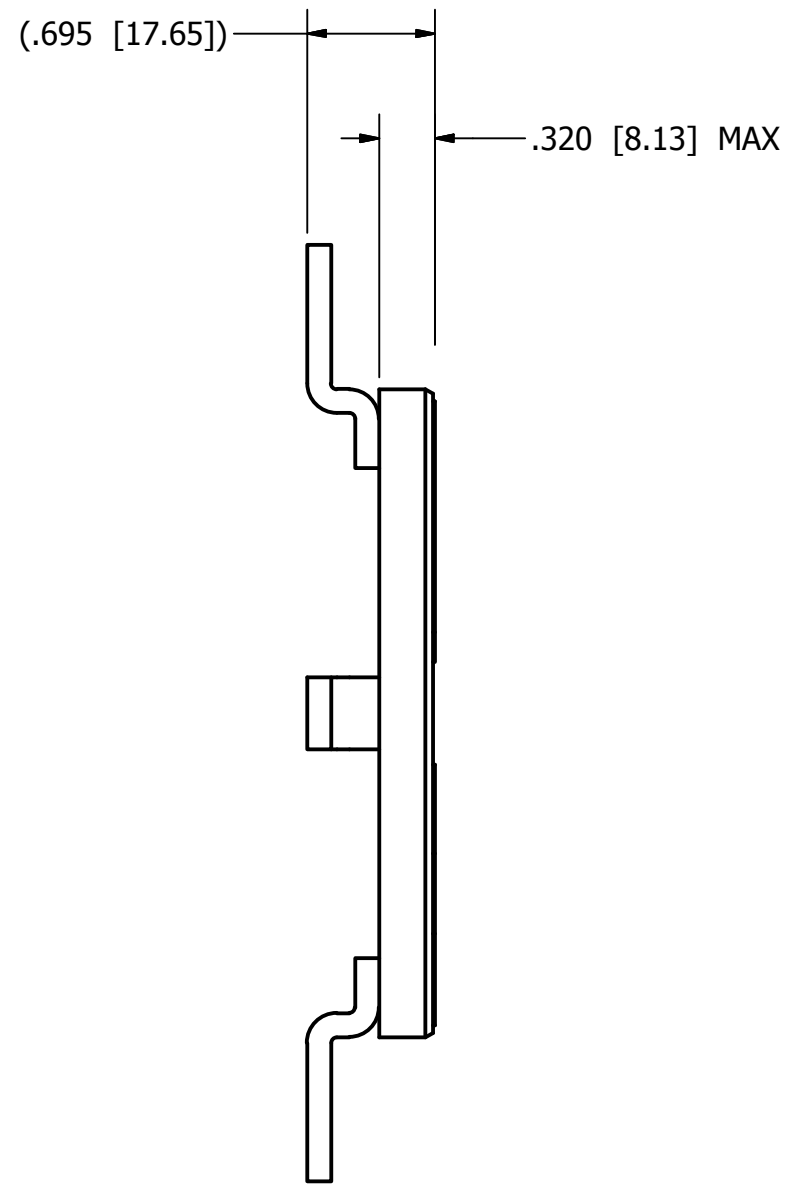
Notes:

- AEGIS SGR-48.0-UKIT-2A4 Includes
- (1) AEGIS SGR Bearing Protection Ring
- (4) Universal brackets Of Each size (16 total)
- (4) 5-40 x 3/8 Flat Head Cap Screws
- (4) M4 x .7 x 10mm Socket Head Cap Screws
- (4) M4 Flat Washers
- (4) M4 Split Lock Washers
- 5/64" Allen Wrench
- 3mm Allen Wrench

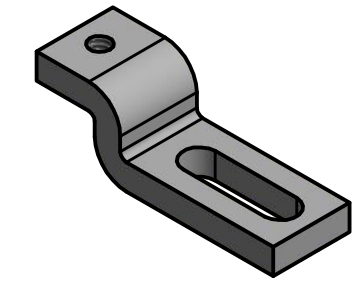
Patented Technology US Patent 8,199,453; 8,169,766; 7,193,836

THEREIN, ARE THE EXCLUSIVE PROPERTY OF ELECTRO STATIC TECHNOLOGY ISSUED IN STRICT CONFIDENCE AND SHALL NOT WITHOUT CONSENT, BE REPRODUCED, COPIED OR USED FOR ANY PURPOSE WHATSOEVER, EXCEPT BUSINESS WITH E.S.T.	
UNLESS OTHERWISE SPECIFIED DIMENSIONS ARE IN: inch [mm]	 ELECTRO STATIC TECHNOLOGY AN ITW COMPANY
UNTOLERANCED DIMENSIONS ± .020 [0.5mm]	
DATE: 7/16/2015	31 WINTERBROOK ROAD, MECHANIC FALLS, MAINE 04256 PHONE (207)998-5140 FAX (207)998-5143
ENGINEER: A. Gen	To Suit 48mm Shaft Diameter PART NUMBER: SGR-48.0-UKIT-2A4 REV A

Not Drawn to Scale

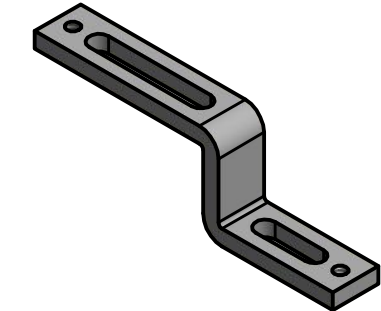


Bracket Shown on Drawing



A-97000-18

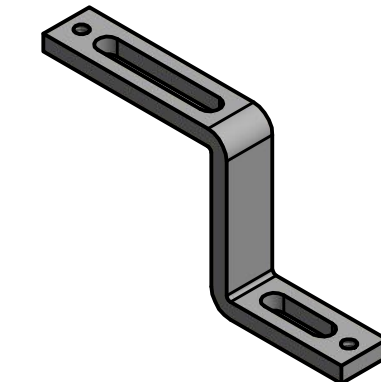
Mtg Bolt Circle: Ø3.940 -- Ø4.740
[Ø100.09] [Ø120.41]



A-97000-22
(Reversible)

Mtg Bolt Circle: Ø5.240 (normal) -- Ø6.915 [Ø133.11] [Ø175.65]

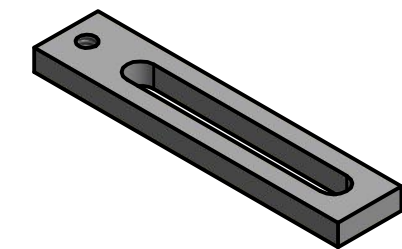
Mtg Bolt Circle: Ø6.115 (reversed) -- Ø6.915 [Ø155.33] [Ø175.65]



A-97000-23
(Reversible)

Mtg Bolt Circle: Ø5.240 (normal) -- Ø6.915 [Ø133.11] [Ø175.65]

Mtg Bolt Circle: Ø6.115 (reversed) -- Ø6.915 [Ø155.33] [Ø175.65]



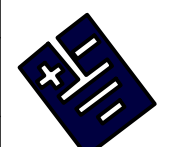
A-97000-20

Mtg Bolt Circle: Ø5.240 -- Ø6.915
[Ø133.11] [Ø175.65]

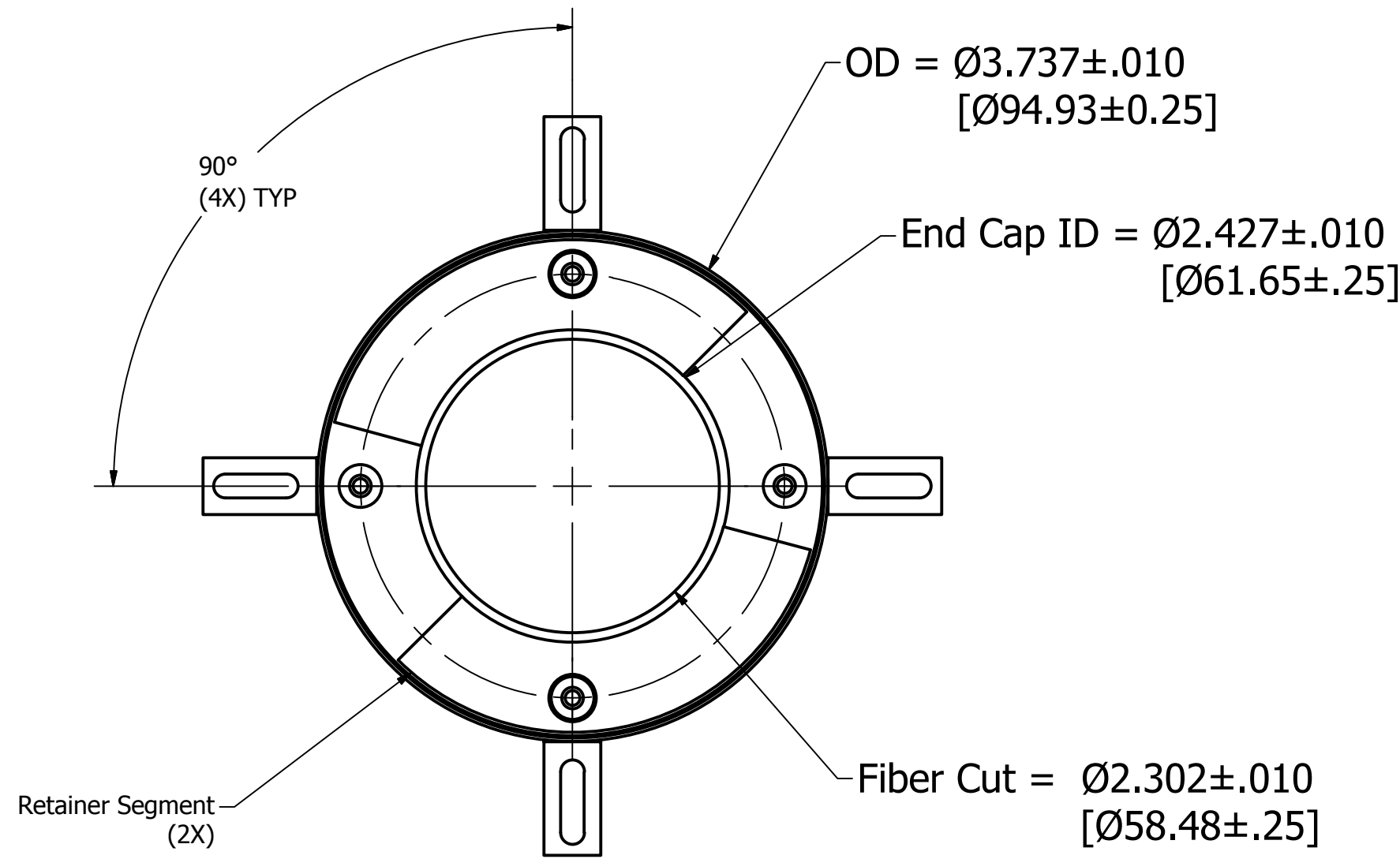
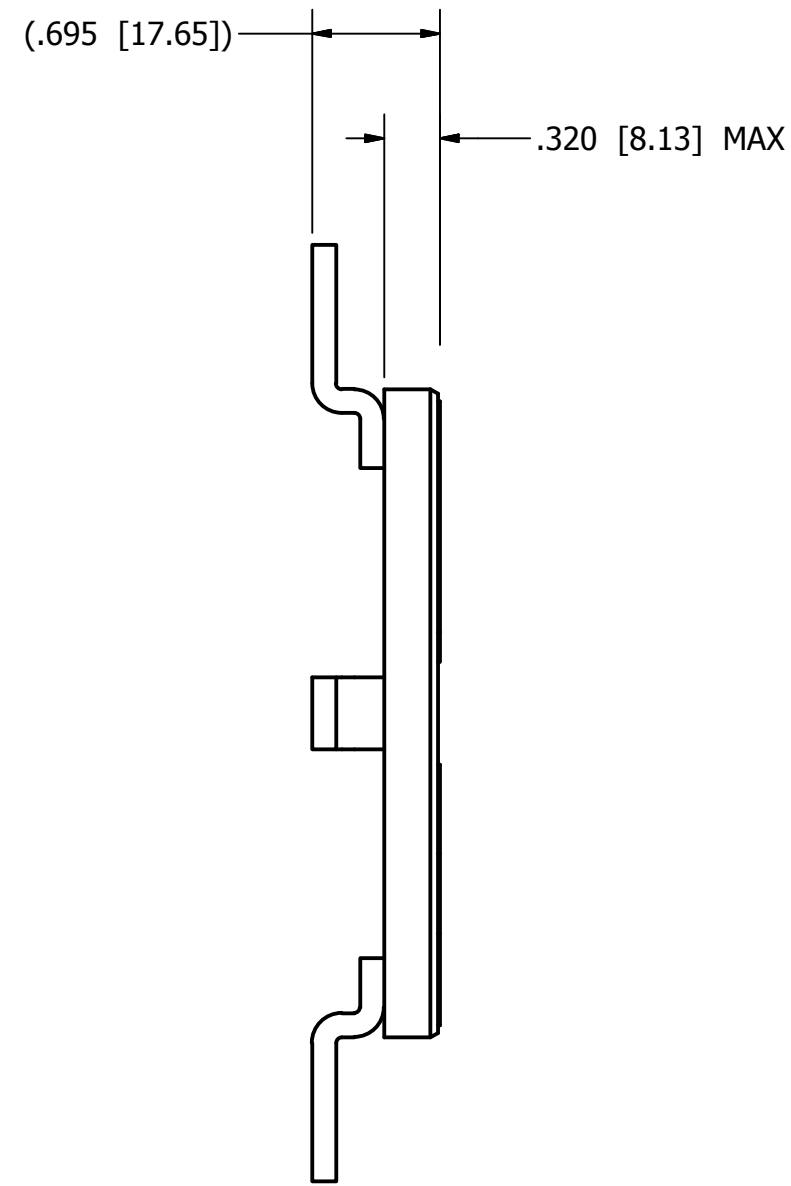
Notes:

- AEGIS SGR-55.0-UKIT-2A4 Includes
- (1) AEGIS SGR Bearing Protection Ring
 - (4) Universal brackets Of Each size (16 total)
 - (4) 5-40 x 3/8 Flat Head Cap Screws
 - (4) M4 x .7 x 10mm Socket Head Cap Screws
 - (4) M4 Flat Washers
 - (4) M4 Split Lock Washers
 - 5/64" Allen Wrench
 - 3mm Allen Wrench

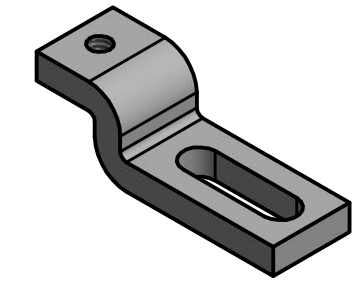
Patented Technology US Patent 8,199,453; 8,169,766; 7,193,836

THEREIN, ARE THE EXCLUSIVE PROPERTY OF ELECTRO STATIC TECHNOLOGY ISSUED IN STRICT CONFIDENCE AND SHALL NOT WITHOUT CONSENT, BE REPRODUCED, COPIED OR USED FOR ANY PURPOSE WHATSOEVER, EXCEPT BUSINESS WITH E.S.T.	
UNLESS OTHERWISE SPECIFIED DIMENSIONS ARE IN: inch [mm]	 ELECTRO STATIC TECHNOLOGY AN ITW COMPANY
UNTOLERANCED DIMENSIONS ± .020 [0.5mm]	
DATE: 7/16/2015	31 WINTERBROOK ROAD, MECHANIC FALLS, MAINE 04256 PHONE (207)998-5140 FAX (207)998-5143
ENGINEER: A. Gen	To Suit 55mm Shaft Diameter PART NUMBER: SGR-55.0-UKIT-2A4 REV A

Not Drawn to Scale

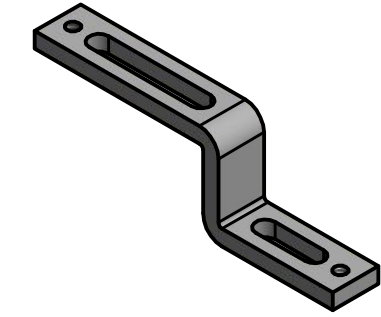


Bracket Shown on Drawing



A-97000-18

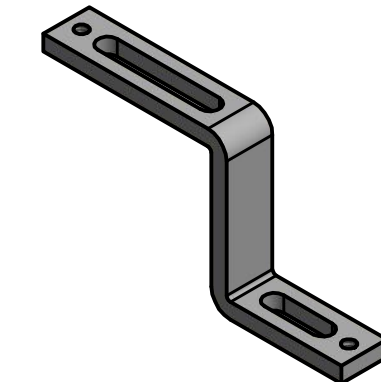
Mtg Bolt Circle: $\text{Ø}4.137$ -- $\text{Ø}4.937$
[$\text{Ø}105.09$] [$\text{Ø}125.41$]



A-97000-22
(Reversible)

Mtg Bolt Circle: $\text{Ø}5.437$ (normal) -- $\text{Ø}7.112$ [$\text{Ø}138.11$] [$\text{Ø}180.65$]

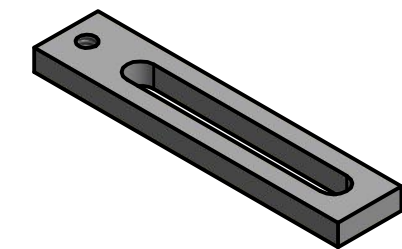
Mtg Bolt Circle: $\text{Ø}6.312$ (reversed) -- $\text{Ø}7.112$ [$\text{Ø}160.33$] [$\text{Ø}180.65$]



A-97000-23
(Reversible)

Mtg Bolt Circle: $\text{Ø}5.437$ (normal) -- $\text{Ø}7.112$ [$\text{Ø}138.11$] [$\text{Ø}180.65$]

Mtg Bolt Circle: $\text{Ø}6.312$ (reversed) -- $\text{Ø}7.112$ [$\text{Ø}160.33$] [$\text{Ø}180.65$]



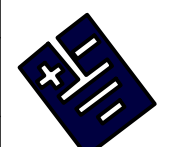
A-97000-20

Mtg Bolt Circle: $\text{Ø}5.437$ -- $\text{Ø}7.112$ [$\text{Ø}138.11$] [$\text{Ø}180.65$]

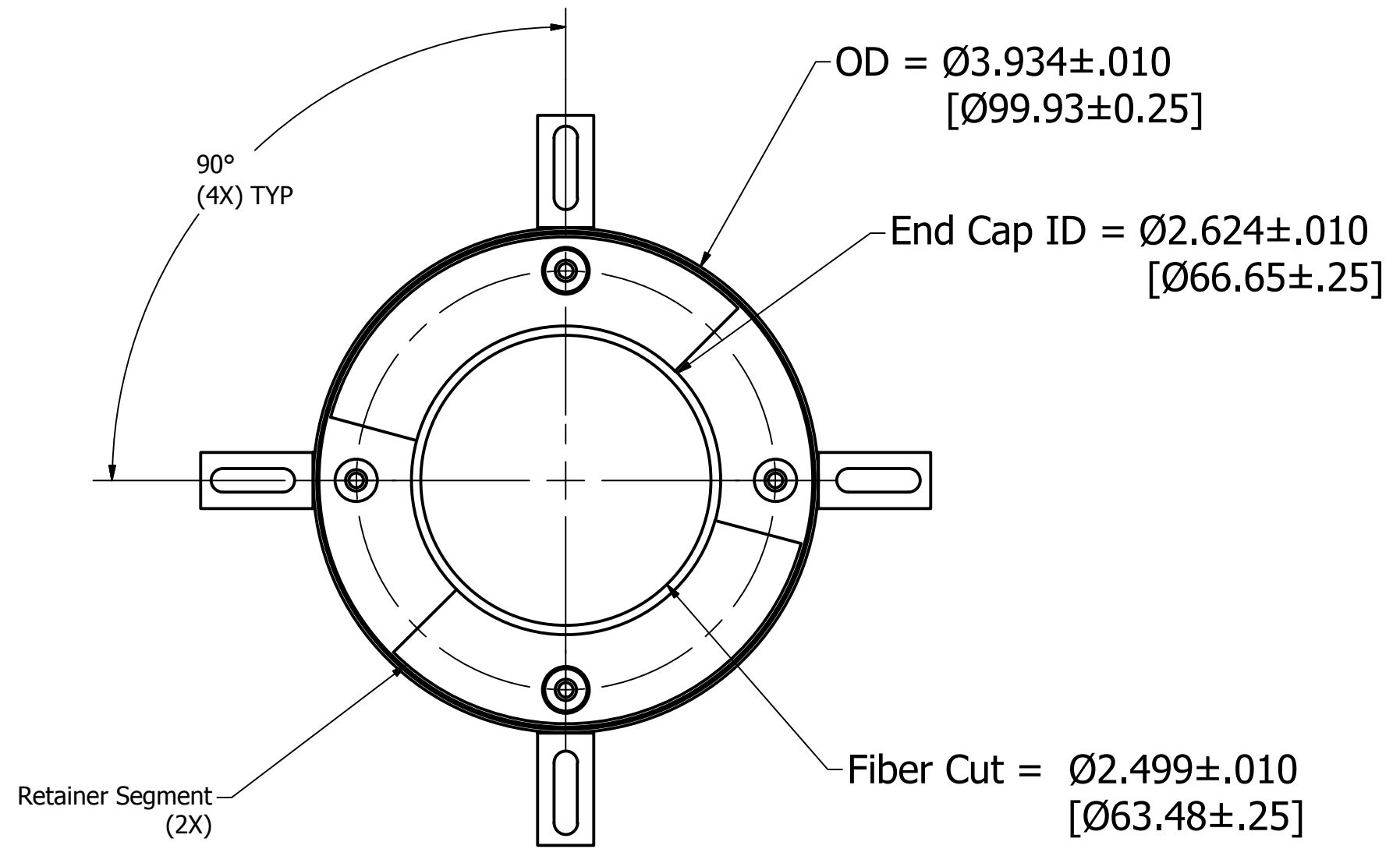
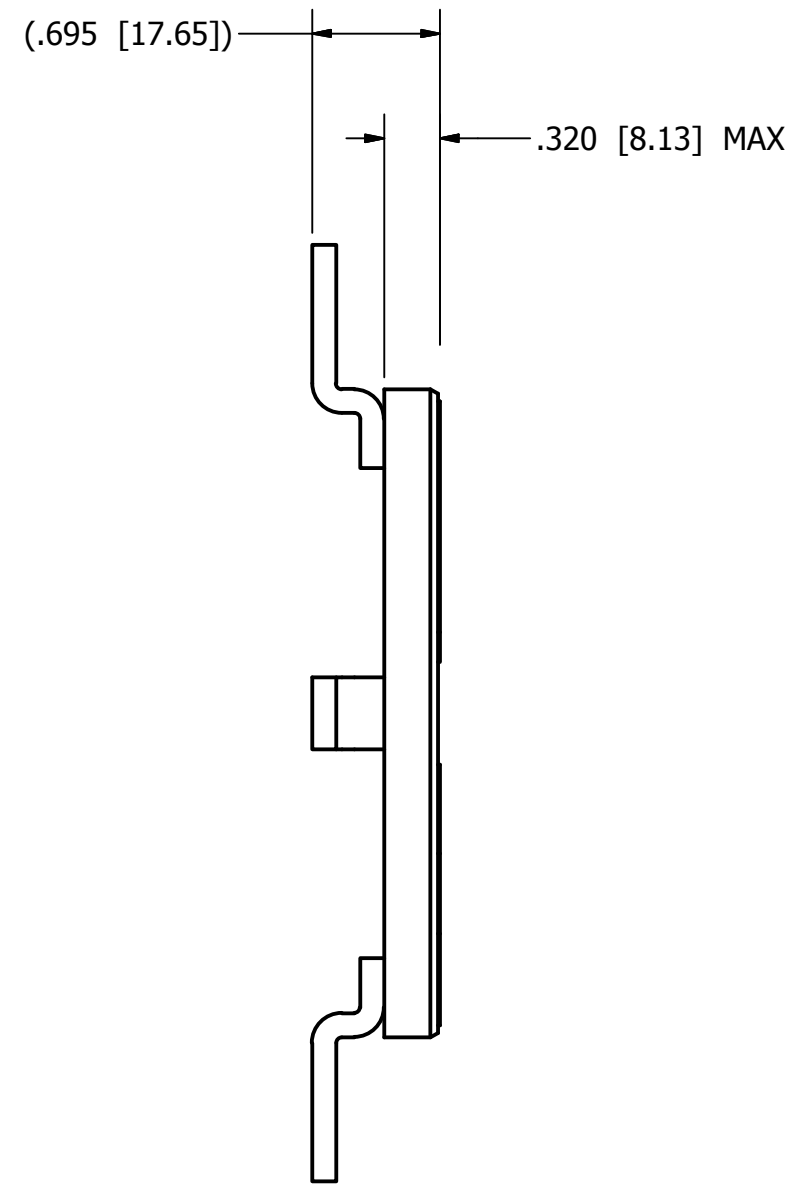
Notes:

- AEGIS SGR-60.0-UKIT-2A4 Includes
- (1) AEGIS SGR Bearing Protection Ring
 - (4) Universal brackets Of Each size (16 total)
 - (4) 5-40 x 3/8 Flat Head Cap Screws
 - (4) M4 x .7 x 10mm Socket Head Cap Screws
 - (4) M4 Flat Washers
 - (4) M4 Split Lock Washers
 - 5/64" Allen Wrench
 - 3mm Allen Wrench

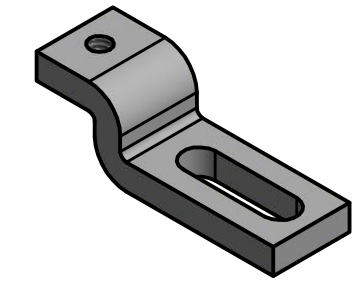
Patented Technology US Patent 8,199,453; 8,169,766; 7,193,836

THEREIN, ARE THE EXCLUSIVE PROPERTY OF ELECTRO STATIC TECHNOLOGY ISSUED IN STRICT CONFIDENCE AND SHALL NOT WITHOUT CONSENT, BE REPRODUCED, COPIED OR USED FOR ANY PURPOSE WHATSOEVER, EXCEPT BUSINESS WITH E.S.T.	
UNLESS OTHERWISE SPECIFIED DIMENSIONS ARE IN: inch [mm]	 <p>ELECTRO STATIC TECHNOLOGY AN ITW COMPANY</p>
UNTOLERANCED DIMENSIONS $\pm .020$ [0.5mm]	
DATE: 7/16/2015	31 WINTERBROOK ROAD, MECHANIC FALLS, MAINE 04256 PHONE (207)998-5140 FAX (207)998-5143
ENGINEER: A. Gen	To Suit 60mm Shaft Diameter
	PART NUMBER: SGR-60.0-UKIT-2A4
	REV A

Not Drawn to Scale

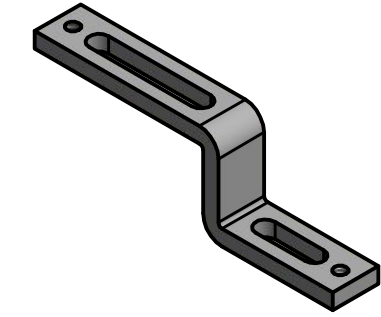


Bracket Shown on Drawing



A-97000-18

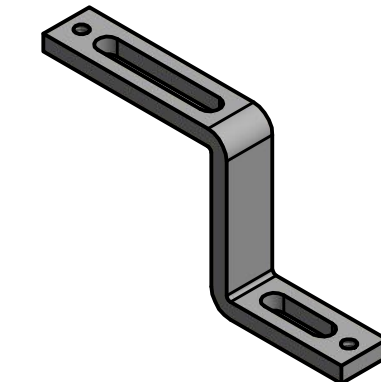
Mtg Bolt Circle: Ø4.334 -- Ø5.134
[Ø110.09] [Ø130.41]



A-97000-22
(Reversible)

Mtg Bolt Circle: Ø5.634 (normal) -- Ø7.309 [Ø143.11] [Ø185.65]

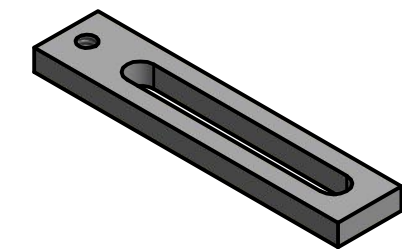
Mtg Bolt Circle: Ø6.509 (reversed) -- Ø7.309 [Ø165.33] [Ø185.65]



A-97000-23
(Reversible)

Mtg Bolt Circle: Ø5.634 (normal) -- Ø7.309 [Ø143.11] [Ø185.65]

Mtg Bolt Circle: Ø6.509 (reversed) -- Ø7.309 [Ø165.33] [Ø185.65]



A-97000-20

Mtg Bolt Circle: Ø5.634 -- Ø7.309 [Ø143.11] [Ø185.65]

Notes:

- AEGIS SGR-65.0-UKIT-2A4 Includes
- (1) AEGIS SGR Bearing Protection Ring
 - (4) Universal brackets Of Each size (16 total)
 - (4) 5-40 x 3/8 Flat Head Cap Screws
 - (4) M4 x .7 x 10mm Socket Head Cap Screws
 - (4) M4 Flat Washers
 - (4) M4 Split Lock Washers
 - 5/64" Allen Wrench
 - 3mm Allen Wrench

Patented Technology US Patent 8,199,453; 8,169,766; 7,193,836

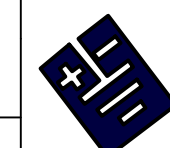
THEREIN, ARE THE EXCLUSIVE PROPERTY OF ELECTRO STATIC TECHNOLOGY ISSUED IN STRICT CONFIDENCE AND SHALL NOT WITHOUT CONSENT, BE REPRODUCED, COPIED OR USED FOR ANY PURPOSE WHATSOEVER, EXCEPT BUSINESS WITH E.S.T.

UNLESS OTHERWISE SPECIFIED
DIMENSIONS ARE IN:
inch [mm]

UNTOLERANCED DIMENSIONS
± .020 [0.5mm]

DATE: 7/16/2015

ENGINEER: A. Gen



ELECTRO STATIC TECHNOLOGY
AN ITW COMPANY

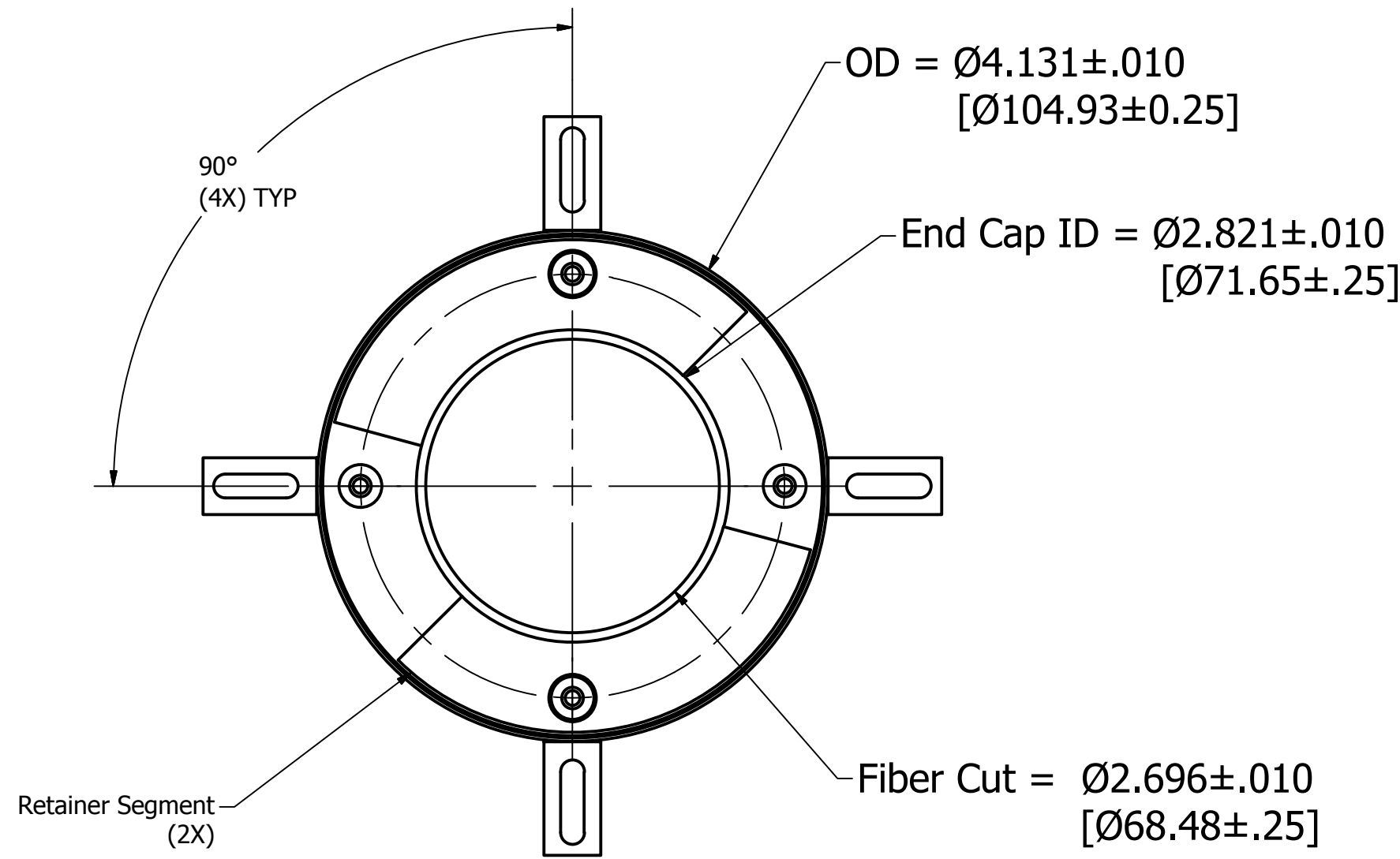
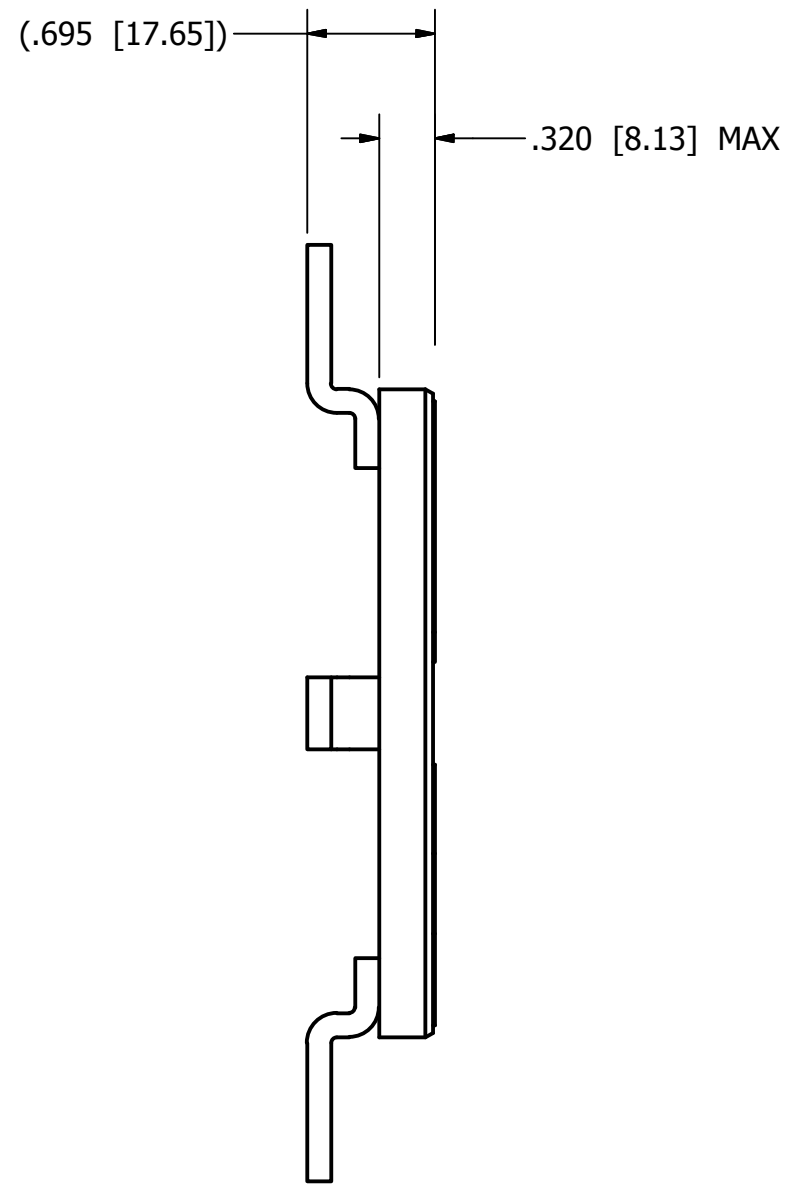
31 WINTERBROOK ROAD, MECHANIC FALLS, MAINE 04256
PHONE (207)998-5140 FAX (207)998-5143

To Suit 65mm Shaft Diameter

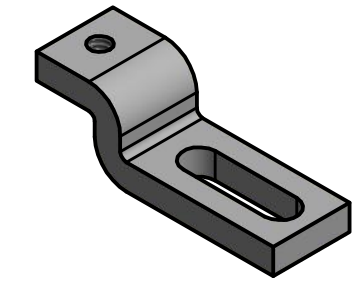
PART NUMBER: SGR-65.0-UKIT-2A4

REV A

Not Drawn to Scale

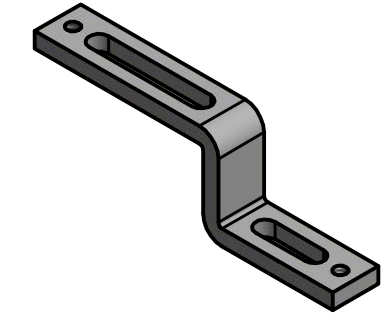


Bracket Shown on Drawing



A-97000-18

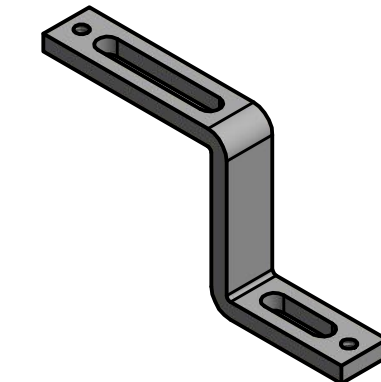
Mtg Bolt Circle: Ø4.531 -- Ø5.331
[Ø115.09] [Ø135.41]



A-97000-22
(Reversible)

Mtg Bolt Circle: Ø5.831 (normal) -- Ø7.506 [Ø148.11] [Ø190.65]

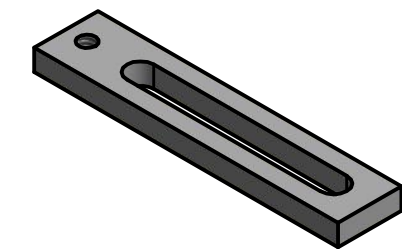
Mtg Bolt Circle: Ø6.706 (reversed) -- Ø7.506 [Ø170.33] [Ø190.65]



A-97000-23
(Reversible)

Mtg Bolt Circle: Ø5.831 (normal) -- Ø7.506 [Ø148.11] [Ø190.65]

Mtg Bolt Circle: Ø6.706 (reversed) -- Ø7.506 [Ø170.33] [Ø190.65]



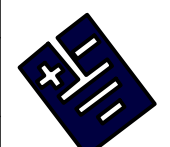
A-97000-20

Mtg Bolt Circle: Ø5.831 -- Ø7.506 [Ø148.11] [Ø190.65]

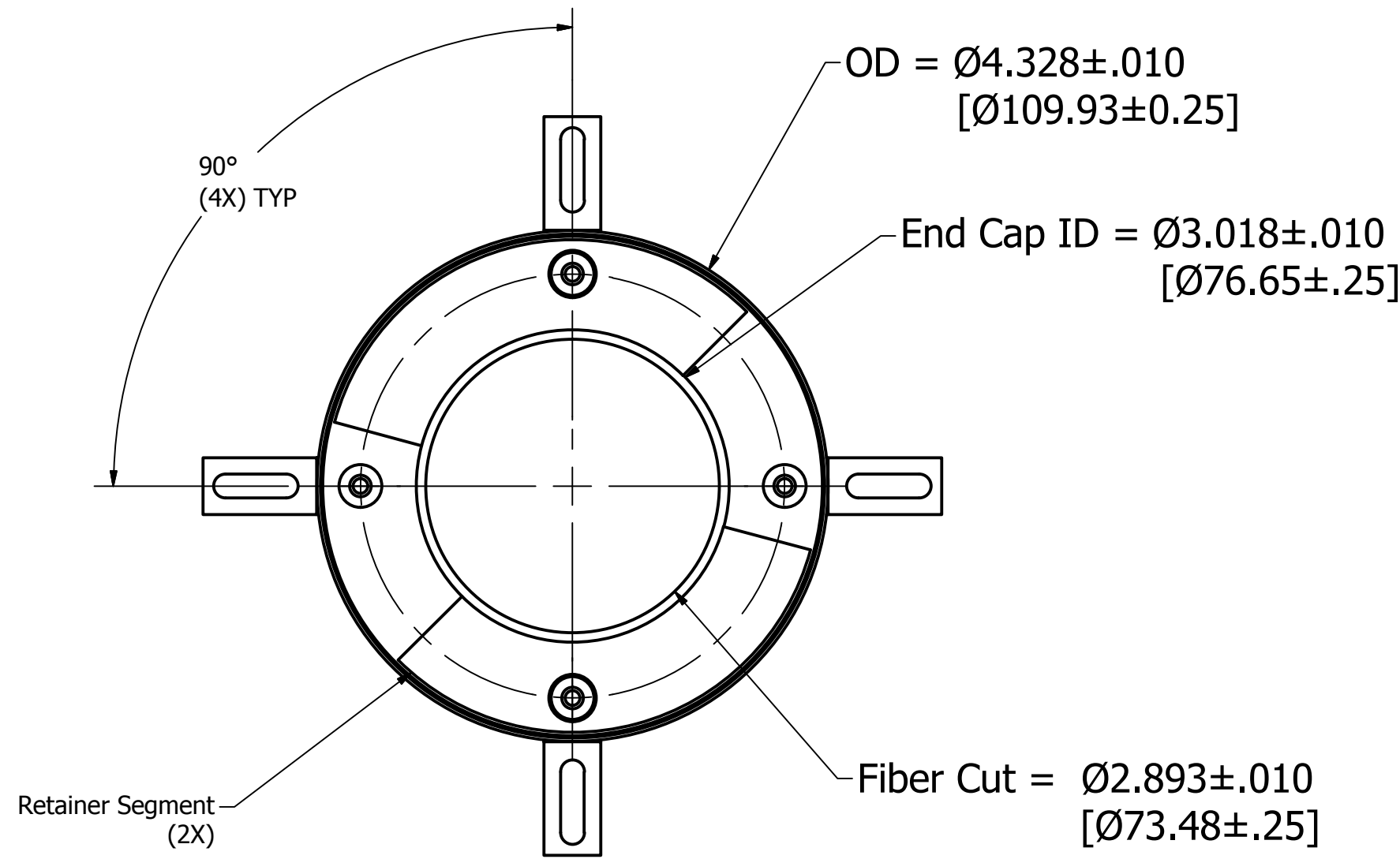
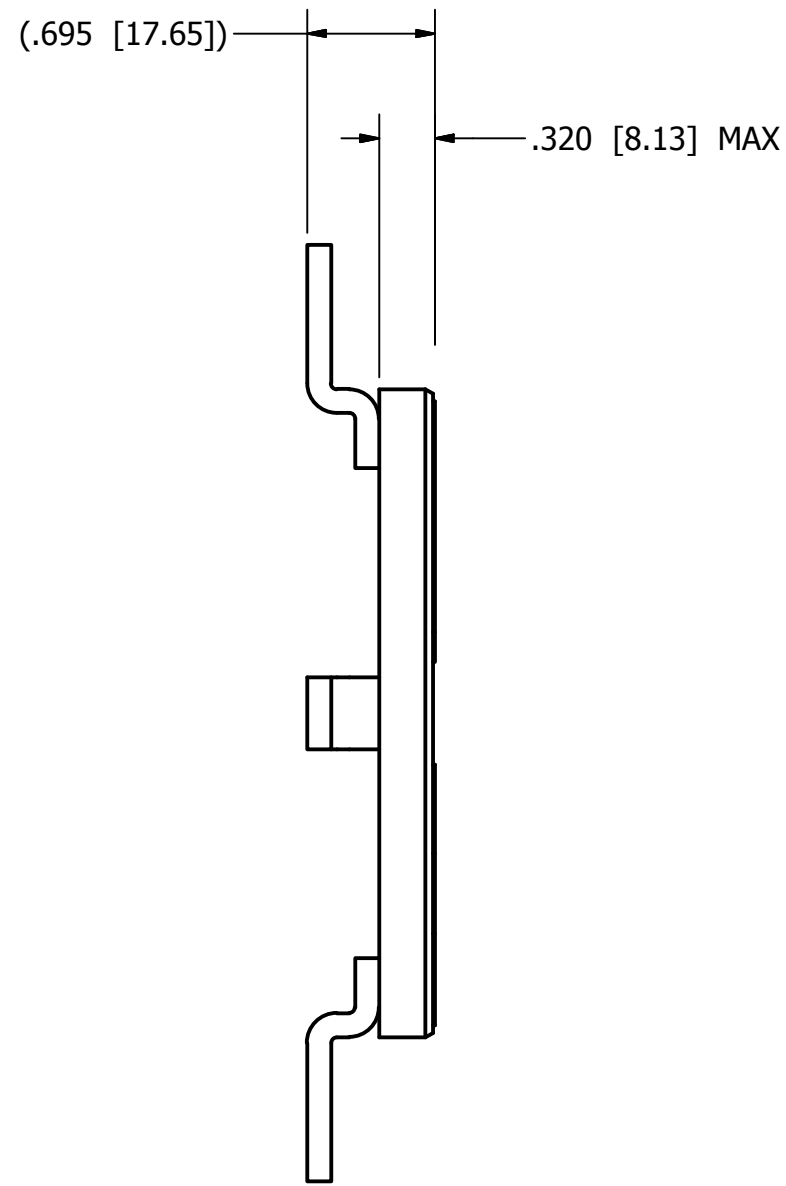
Notes:

- AEGIS SGR-70.0-UKIT-2A4 Includes
- (1) AEGIS SGR Bearing Protection Ring
 - (4) Universal brackets Of Each size (16 total)
 - (4) 5-40 x 3/8 Flat Head Cap Screws
 - (4) M4 x .7 x 10mm Socket Head Cap Screws
 - (4) M4 Flat Washers
 - (4) M4 Split Lock Washers
 - 5/64" Allen Wrench
 - 3mm Allen Wrench

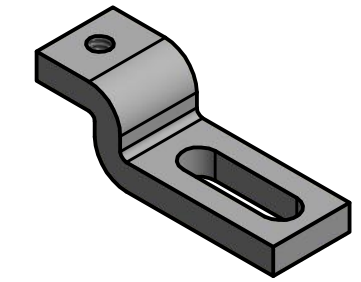
Patented Technology US Patent 8,199,453; 8,169,766; 7,193,836

THEREIN, ARE THE EXCLUSIVE PROPERTY OF ELECTRO STATIC TECHNOLOGY ISSUED IN STRICT CONFIDENCE AND SHALL NOT WITHOUT CONSENT, BE REPRODUCED, COPIED OR USED FOR ANY PURPOSE WHATSOEVER, EXCEPT BUSINESS WITH E.S.T.	
UNLESS OTHERWISE SPECIFIED DIMENSIONS ARE IN: inch [mm]	 ELECTRO STATIC TECHNOLOGY AN ITW COMPANY
UNTOLERANCED DIMENSIONS ± .020 [0.5mm]	
DATE: 7/16/2015	31 WINTERBROOK ROAD, MECHANIC FALLS, MAINE 04256 PHONE (207)998-5140 FAX (207)998-5143
ENGINEER: A. Gen	To Suit 70mm Shaft Diameter PART NUMBER: SGR-70.0-UKIT-2A4 REV A

Not Drawn to Scale

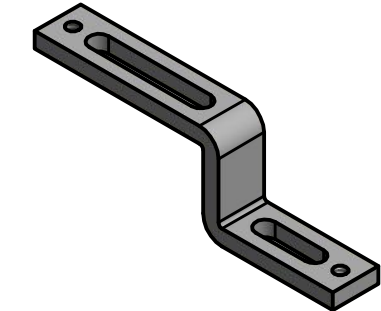


Bracket Shown on Drawing



A-97000-18

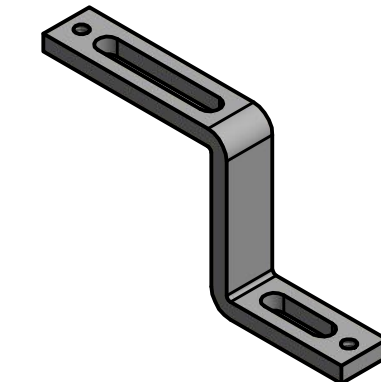
Mtg Bolt Circle: Ø4.728 -- Ø5.528
[Ø120.09] [Ø140.41]



A-97000-22
(Reversible)

Mtg Bolt Circle: Ø6.028 (normal) -- Ø7.703 [Ø153.11] [Ø195.65]

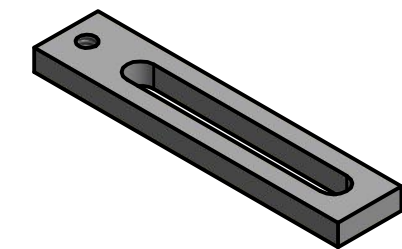
Mtg Bolt Circle: Ø6.903 (reversed) -- Ø7.703 [Ø175.33] [Ø195.65]



A-97000-23
(Reversible)

Mtg Bolt Circle: Ø6.028 (normal) -- Ø7.703 [Ø153.11] [Ø195.65]

Mtg Bolt Circle: Ø6.903 (reversed) -- Ø7.703 [Ø175.33] [Ø195.65]



A-97000-20

Mtg Bolt Circle: Ø6.028 -- Ø7.703 [Ø153.11] [Ø195.65]

Notes:

- AEGIS SGR-75.0-UKIT-2A4 Includes
- (1) AEGIS SGR Bearing Protection Ring
 - (4) Universal brackets Of Each size (16 total)
 - (4) 5-40 x 3/8 Flat Head Cap Screws
 - (4) M4 x .7 x 10mm Socket Head Cap Screws
 - (4) M4 Flat Washers
 - (4) M4 Split Lock Washers
 - 5/64" Allen Wrench
 - 3mm Allen Wrench

Patented Technology US Patent 8,199,453; 8,169,766; 7,193,836

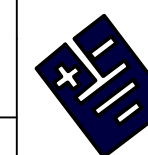
THEREIN, ARE THE EXCLUSIVE PROPERTY OF ELECTRO STATIC TECHNOLOGY ISSUED IN STRICT CONFIDENCE AND SHALL NOT WITHOUT CONSENT, BE REPRODUCED, COPIED OR USED FOR ANY PURPOSE WHATSOEVER, EXCEPT BUSINESS WITH E.S.T.

UNLESS OTHERWISE SPECIFIED
DIMENSIONS ARE IN:
inch [mm]

UNTOLERANCED DIMENSIONS
± .020 [0.5mm]

DATE: 7/16/2015

ENGINEER: A. Gen



ELECTRO STATIC TECHNOLOGY
AN ITW COMPANY

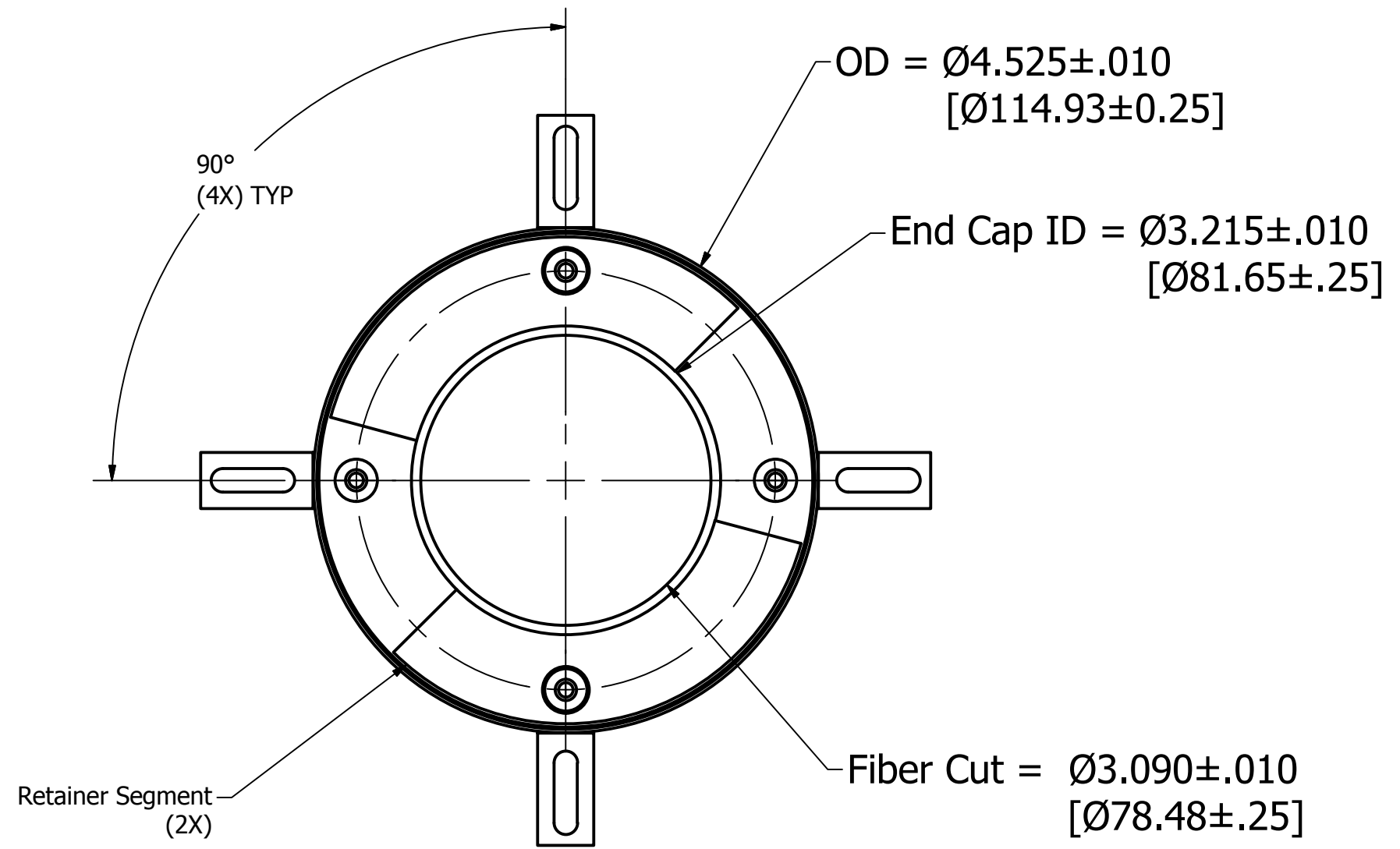
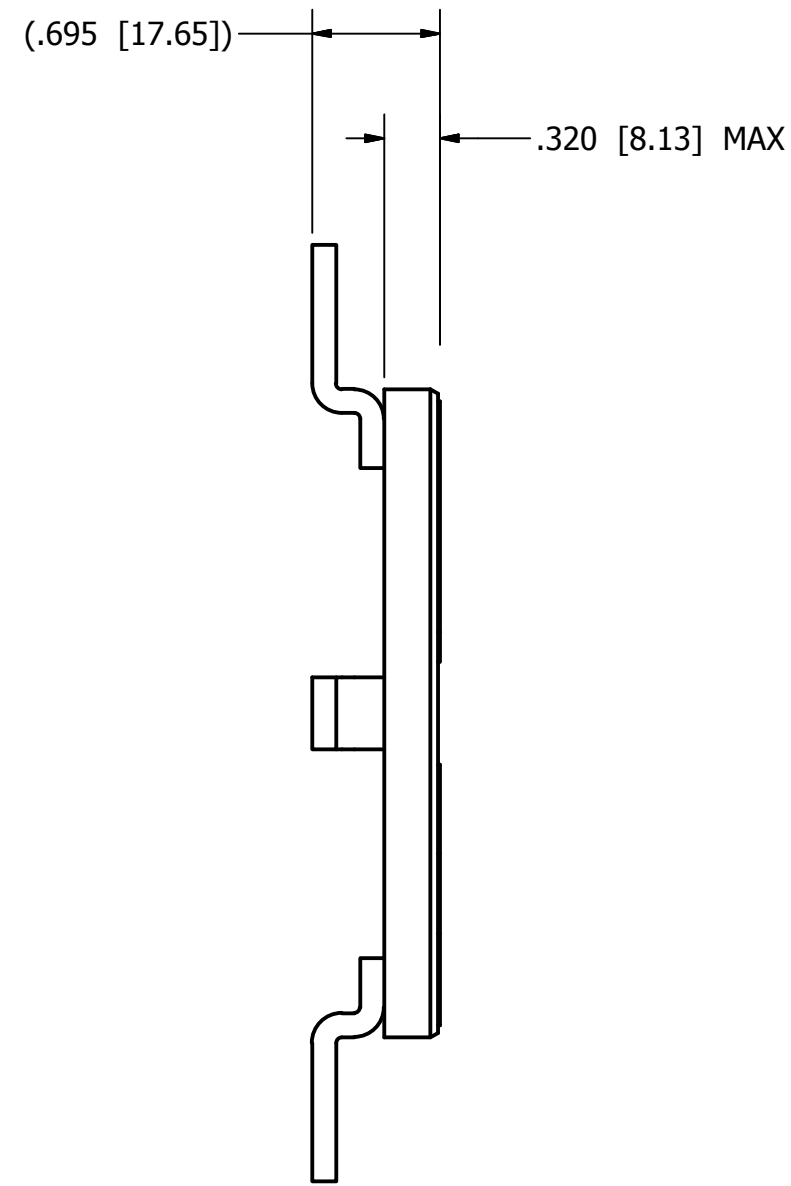
31 WINTERBROOK ROAD, MECHANIC FALLS, MAINE 04256
PHONE (207)998-5140 FAX (207)998-5143

To Suit 75mm Shaft Diameter

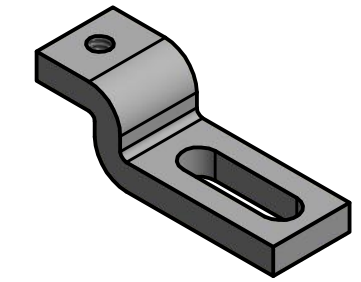
PART NUMBER: SGR-75.0-UKIT-2A4

REV A

Not Drawn to Scale

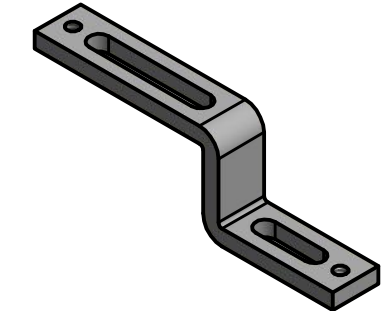


Bracket Shown on Drawing



A-97000-18

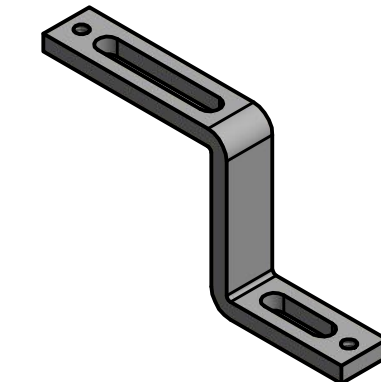
Mtg Bolt Circle: $\text{Ø}4.925$ -- $\text{Ø}5.725$
[$\text{Ø}125.09$] [$\text{Ø}145.41$]



A-97000-22
(Reversible)

Mtg Bolt Circle: $\text{Ø}6.225$ (normal) -- $\text{Ø}7.900$ [$\text{Ø}158.11$] [$\text{Ø}200.65$]

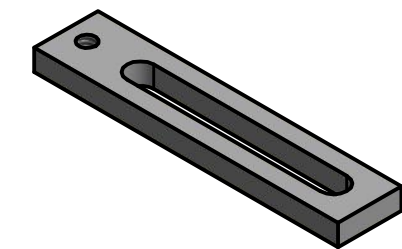
Mtg Bolt Circle: $\text{Ø}7.100$ (reversed) -- $\text{Ø}7.900$ [$\text{Ø}180.33$] [$\text{Ø}200.65$]



A-97000-23
(Reversible)

Mtg Bolt Circle: $\text{Ø}6.225$ (normal) -- $\text{Ø}7.900$ [$\text{Ø}158.11$] [$\text{Ø}200.65$]

Mtg Bolt Circle: $\text{Ø}7.100$ (reversed) -- $\text{Ø}7.900$ [$\text{Ø}180.33$] [$\text{Ø}200.65$]



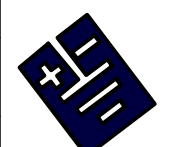
A-97000-20

Mtg Bolt Circle: $\text{Ø}6.225$ -- $\text{Ø}7.900$ [$\text{Ø}158.11$] [$\text{Ø}200.65$]

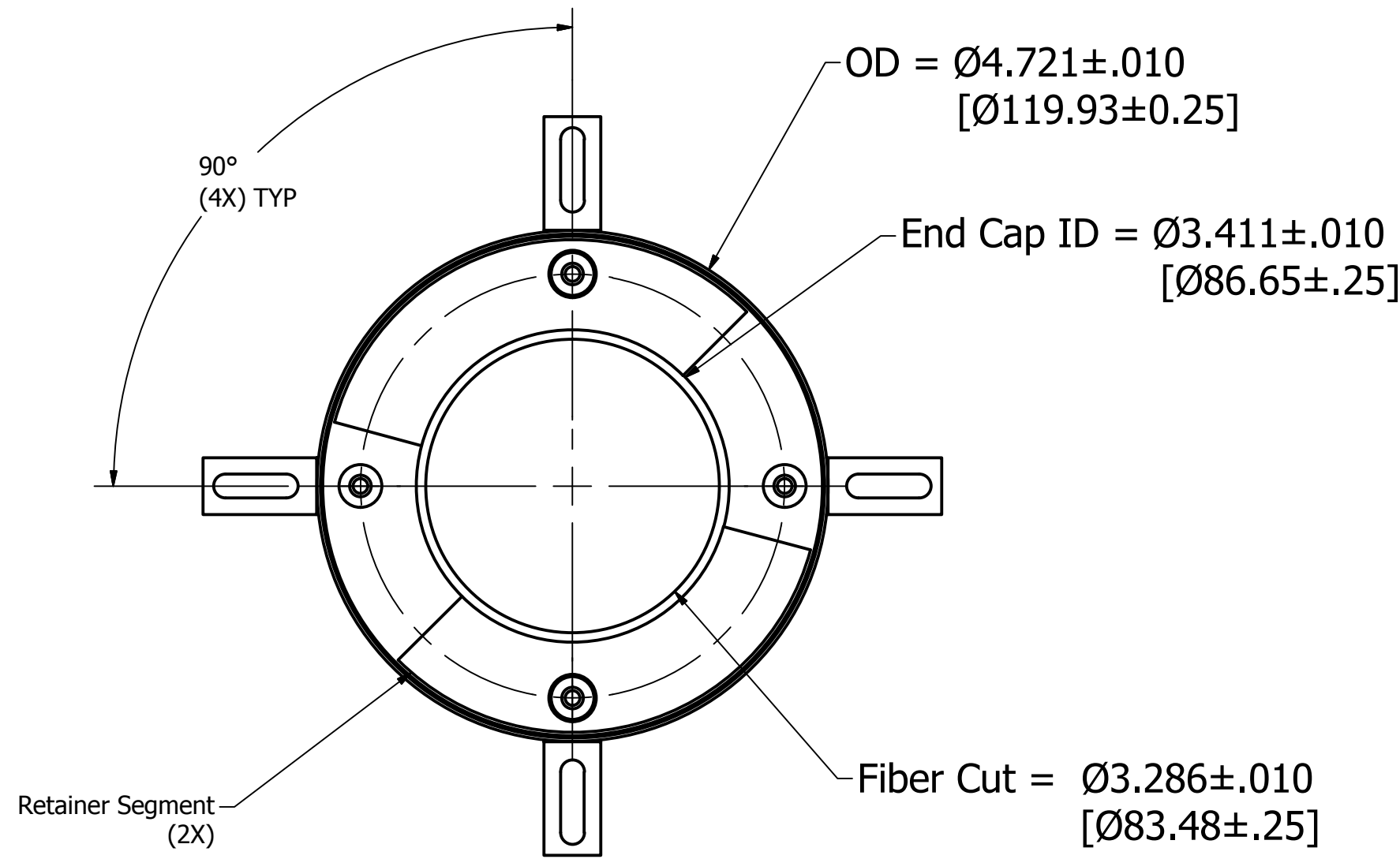
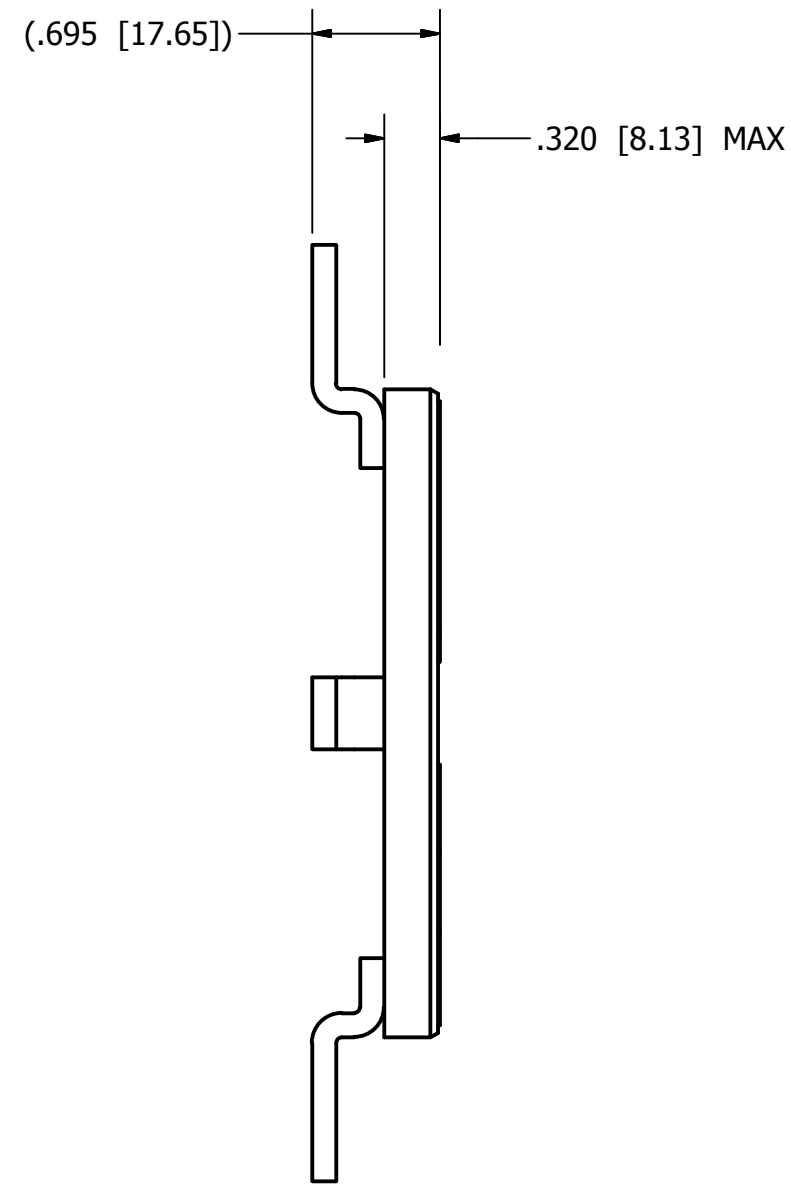
Notes:

- AEGIS SGR-80.0-UKIT-2A4 Includes
- (1) AEGIS SGR Bearing Protection Ring
 - (4) Universal brackets Of Each size (16 total)
 - (4) 5-40 x 3/8 Flat Head Cap Screws
 - (4) M4 x .7 x 10mm Socket Head Cap Screws
 - (4) M4 Flat Washers
 - (4) M4 Split Lock Washers
 - 5/64" Allen Wrench
 - 3mm Allen Wrench

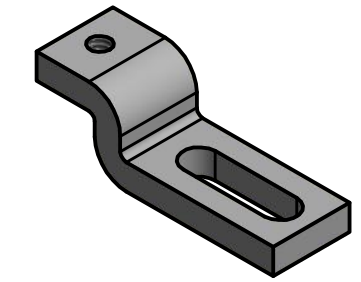
Patented Technology US Patent 8,199,453; 8,169,766; 7,193,836

THEREIN, ARE THE EXCLUSIVE PROPERTY OF ELECTRO STATIC TECHNOLOGY ISSUED IN STRICT CONFIDENCE AND SHALL NOT WITHOUT CONSENT, BE REPRODUCED, COPIED OR USED FOR ANY PURPOSE WHATSOEVER, EXCEPT BUSINESS WITH E.S.T.	
UNLESS OTHERWISE SPECIFIED DIMENSIONS ARE IN: inch [mm]	 ELECTRO STATIC TECHNOLOGY AN ITW COMPANY
UNTOLERANCED DIMENSIONS $\pm .020$ [0.5mm]	
DATE: 7/16/2015	31 WINTERBROOK ROAD, MECHANIC FALLS, MAINE 04256 PHONE (207)998-5140 FAX (207)998-5143
ENGINEER: A. Gen	To Suit 80mm Shaft Diameter PART NUMBER: SGR-80.0-UKIT-2A4 REV A

Not Drawn to Scale

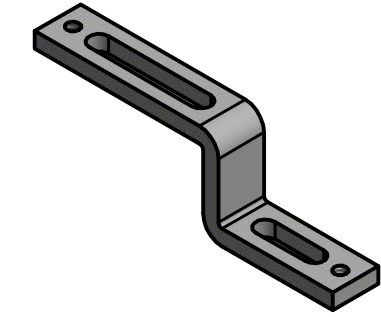


Bracket Shown on Drawing



A-97000-18

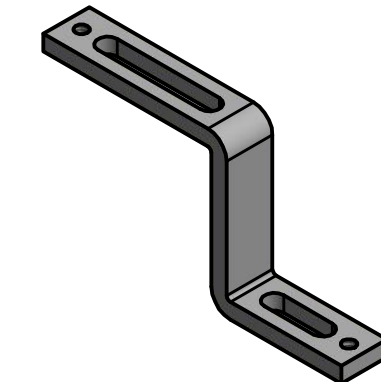
Mtg Bolt Circle: $\text{Ø}5.121$ -- $\text{Ø}5.921$
[$\text{Ø}130.09$] [$\text{Ø}150.41$]



A-97000-22
(Reversible)

Mtg Bolt Circle: $\text{Ø}6.421$ -- $\text{Ø}8.096$
(normal) [$\text{Ø}163.11$] [$\text{Ø}205.65$]

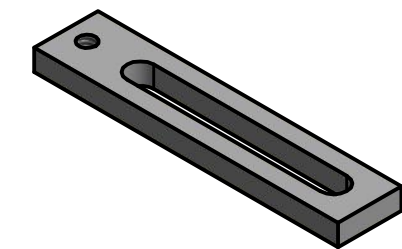
Mtg Bolt Circle: $\text{Ø}7.296$ -- $\text{Ø}8.096$
(reversed) [$\text{Ø}185.33$] [$\text{Ø}205.65$]



A-97000-23
(Reversible)

Mtg Bolt Circle: $\text{Ø}6.421$ -- $\text{Ø}8.096$
(normal) [$\text{Ø}163.11$] [$\text{Ø}205.65$]

Mtg Bolt Circle: $\text{Ø}7.296$ -- $\text{Ø}8.096$
(reversed) [$\text{Ø}185.33$] [$\text{Ø}205.65$]



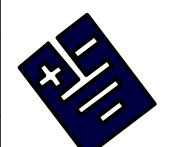
A-97000-20

Mtg Bolt Circle: $\text{Ø}6.421$ -- $\text{Ø}8.096$
[$\text{Ø}163.11$] [$\text{Ø}205.65$]

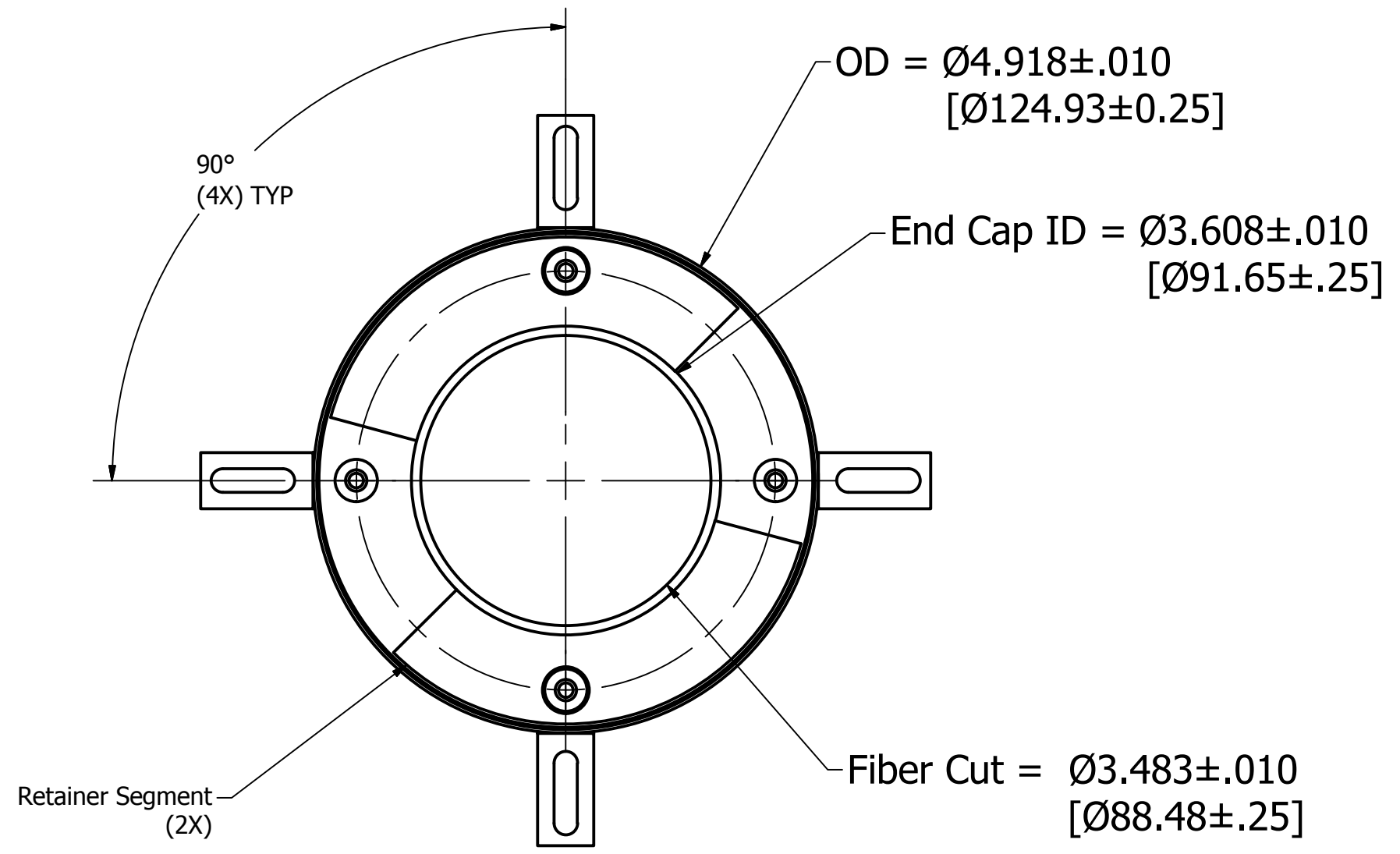
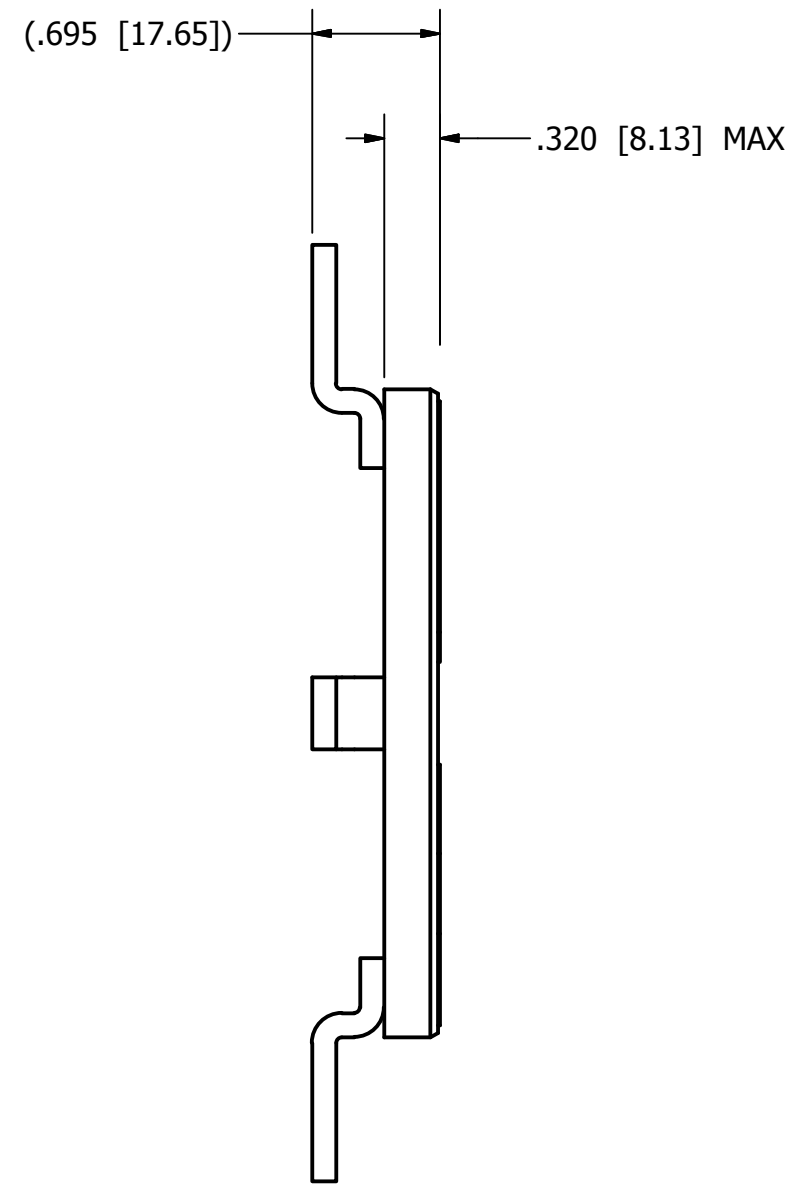
Notes:

- AEGIS SGR-85.0-UKIT-2A4 Includes
- (1) AEGIS SGR Bearing Protection Ring
 - (4) Universal brackets Of Each size (16 total)
 - (4) 5-40 x 3/8 Flat Head Cap Screws
 - (4) M4 x .7 x 10mm Socket Head Cap Screws
 - (4) M4 Flat Washers
 - (4) M4 Split Lock Washers
 - 5/64" Allen Wrench
 - 3mm Allen Wrench

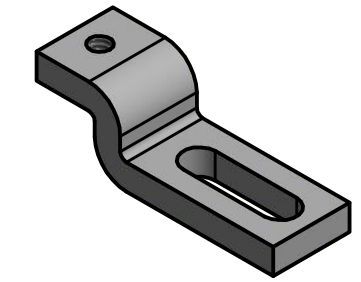
Patented Technology US Patent 8,199,453; 8,169,766; 7,193,836

THEREIN, ARE THE EXCLUSIVE PROPERTY OF ELECTRO STATIC TECHNOLOGY ISSUED IN STRICT CONFIDENCE AND SHALL NOT WITHOUT CONSENT, BE REPRODUCED, COPIED OR USED FOR ANY PURPOSE WHATSOEVER, EXCEPT BUSINESS WITH E.S.T.	
UNLESS OTHERWISE SPECIFIED DIMENSIONS ARE IN: inch [mm]	 <p>ELECTRO STATIC TECHNOLOGY AN ITW COMPANY</p>
UNTOLERANCED DIMENSIONS $\pm .020$ [0.5mm]	
DATE: 7/16/2015	31 WINTERBROOK ROAD, MECHANIC FALLS, MAINE 04256 PHONE (207)998-5140 FAX (207)998-5143
ENGINEER: A. Gen	To Suit 85mm Shaft Diameter
	PART NUMBER: SGR-85.0-UKIT-2A4
	REV A

Not Drawn to Scale

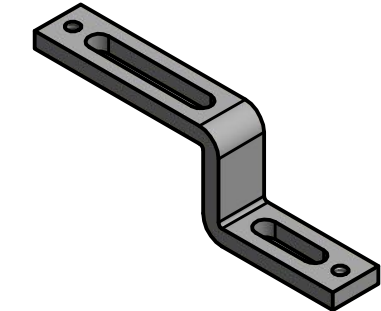


Bracket Shown on Drawing



A-97000-18

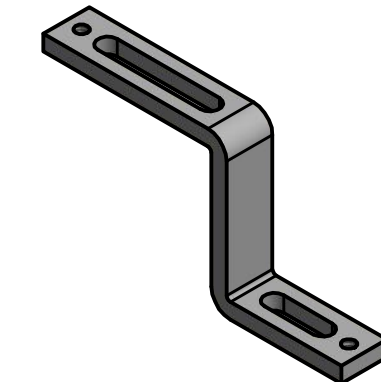
Mtg Bolt Circle: Ø5.318 -- Ø6.118
[Ø135.09] [Ø155.41]



A-97000-22
(Reversible)

Mtg Bolt Circle: Ø6.618 (normal) -- Ø8.293 [Ø168.11] [Ø210.65]

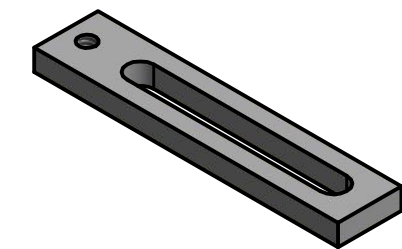
Mtg Bolt Circle: Ø7.493 (reversed) -- Ø8.293 [Ø190.33] [Ø210.65]



A-97000-23
(Reversible)

Mtg Bolt Circle: Ø6.618 (normal) -- Ø8.293 [Ø168.11] [Ø210.65]

Mtg Bolt Circle: Ø7.493 (reversed) -- Ø8.293 [Ø190.33] [Ø210.65]



A-97000-20

Mtg Bolt Circle: Ø6.618 -- Ø8.293 [Ø168.11] [Ø210.65]

Notes:

- AEGIS SGR-90.0-UKIT-2A4 Includes
- (1) AEGIS SGR Bearing Protection Ring
 - (4) Universal brackets Of Each size (16 total)
 - (4) 5-40 x 3/8 Flat Head Cap Screws
 - (4) M4 x .7 x 10mm Socket Head Cap Screws
 - (4) M4 Flat Washers
 - (4) M4 Split Lock Washers
 - 5/64" Allen Wrench
 - 3mm Allen Wrench

Patented Technology US Patent 8,199,453; 8,169,766; 7,193,836

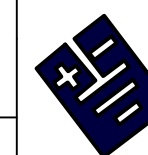
THEREIN, ARE THE EXCLUSIVE PROPERTY OF ELECTRO STATIC TECHNOLOGY ISSUED IN STRICT CONFIDENCE AND SHALL NOT WITHOUT CONSENT, BE REPRODUCED, COPIED OR USED FOR ANY PURPOSE WHATSOEVER, EXCEPT BUSINESS WITH E.S.T.

UNLESS OTHERWISE SPECIFIED
DIMENSIONS ARE IN:
inch [mm]

UNTOLERANCED DIMENSIONS
± .020 [0.5mm]

DATE: 7/16/2015

ENGINEER: A. Gen



ELECTRO STATIC TECHNOLOGY
AN ITW COMPANY

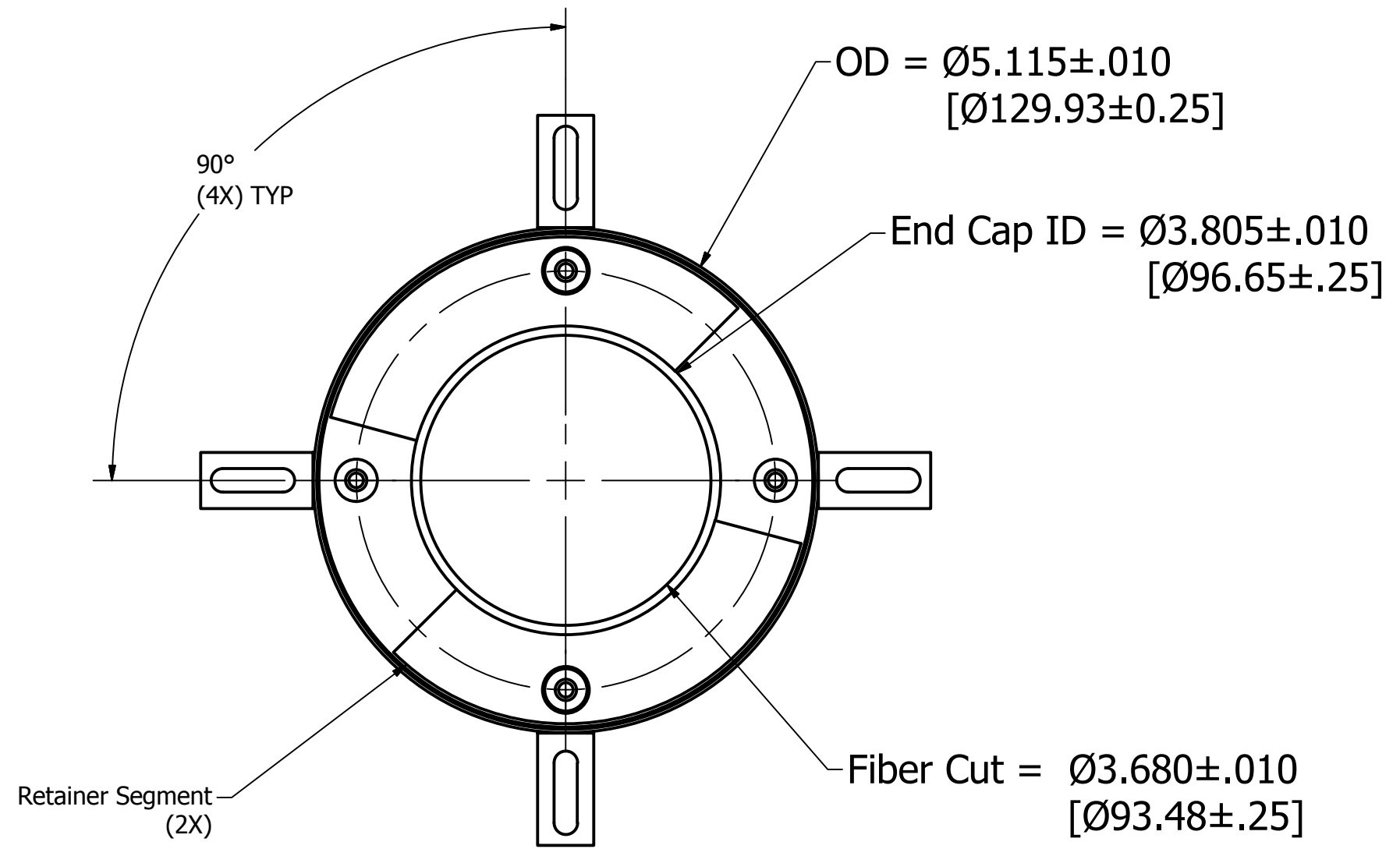
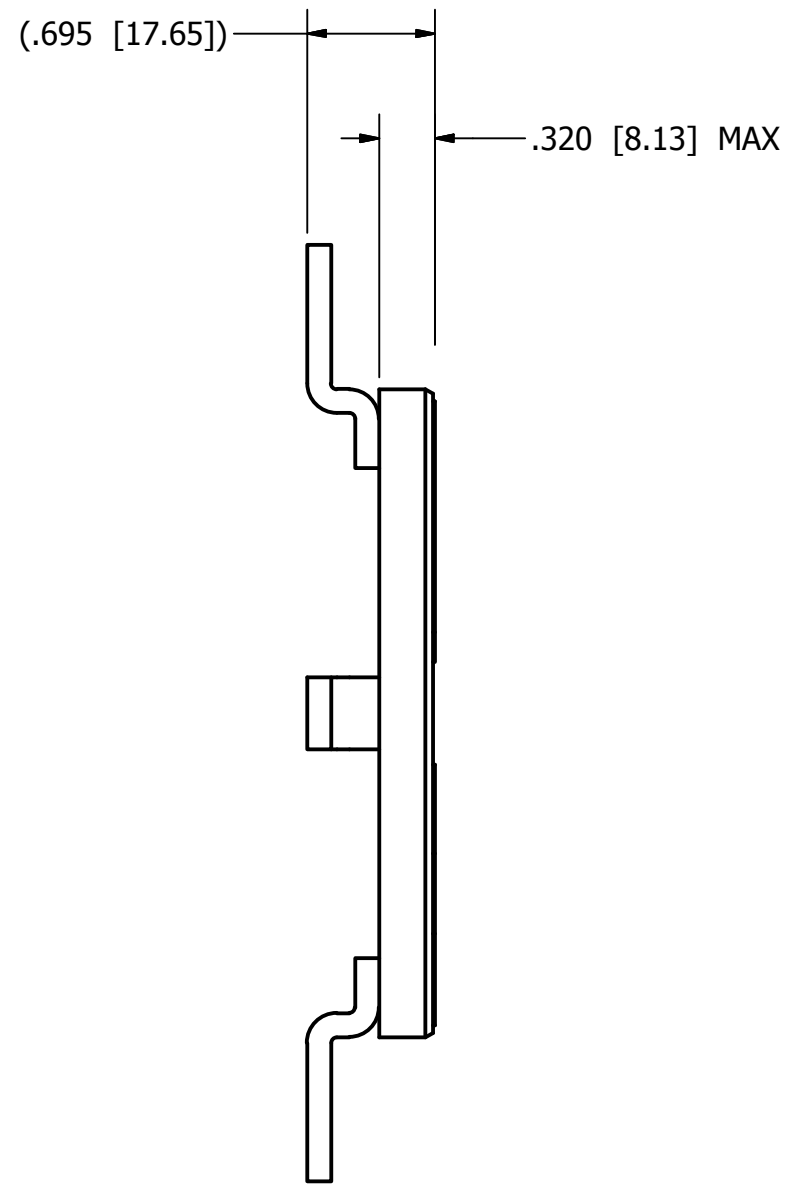
31 WINTERBROOK ROAD, MECHANIC FALLS, MAINE 04256
PHONE (207)998-5140 FAX (207)998-5143

To Suit 90mm Shaft Diameter

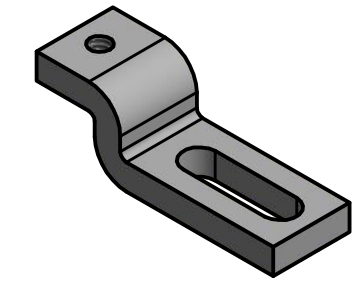
PART NUMBER: SGR-90.0-UKIT-2A4

REV A

Not Drawn to Scale

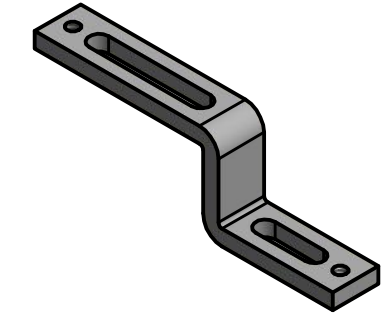


Bracket Shown on Drawing



A-97000-18

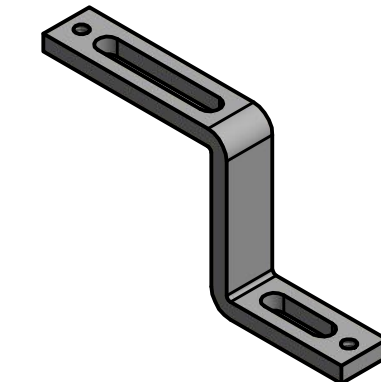
Mtg Bolt Circle: Ø5.515 -- Ø6.315
[Ø140.09] [Ø160.41]



A-97000-22
(Reversible)

Mtg Bolt Circle: Ø6.815 (normal) -- Ø8.490 [Ø173.11] [Ø215.65]

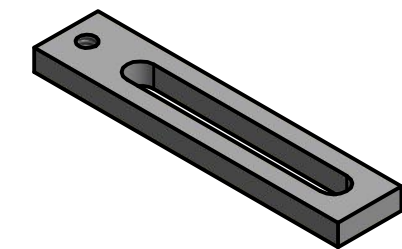
Mtg Bolt Circle: Ø7.690 (reversed) -- Ø8.490 [Ø195.33] [Ø215.65]



A-97000-23
(Reversible)

Mtg Bolt Circle: Ø6.815 (normal) -- Ø8.490 [Ø173.11] [Ø215.65]

Mtg Bolt Circle: Ø7.690 (reversed) -- Ø8.490 [Ø195.33] [Ø215.65]



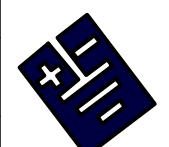
A-97000-20

Mtg Bolt Circle: Ø6.815 -- Ø8.490 [Ø173.11] [Ø215.65]

Notes:

- AEGIS SGR-95.0-UKIT-2A4 Includes
- (1) AEGIS SGR Bearing Protection Ring
 - (4) Universal brackets Of Each size (16 total)
 - (4) 5-40 x 3/8 Flat Head Cap Screws
 - (4) M4 x .7 x 10mm Socket Head Cap Screws
 - (4) M4 Flat Washers
 - (4) M4 Split Lock Washers
 - 5/64" Allen Wrench
 - 3mm Allen Wrench

Patented Technology US Patent 8,199,453; 8,169,766; 7,193,836

THEREIN, ARE THE EXCLUSIVE PROPERTY OF ELECTRO STATIC TECHNOLOGY ISSUED IN STRICT CONFIDENCE AND SHALL NOT WITHOUT CONSENT, BE REPRODUCED, COPIED OR USED FOR ANY PURPOSE WHATSOEVER, EXCEPT BUSINESS WITH E.S.T.	
UNLESS OTHERWISE SPECIFIED DIMENSIONS ARE IN: inch [mm]	 ELECTRO STATIC TECHNOLOGY AN ITW COMPANY
UNTOLERANCED DIMENSIONS ± .020 [0.5mm]	
DATE: 7/16/2015	31 WINTERBROOK ROAD, MECHANIC FALLS, MAINE 04256 PHONE (207)998-5140 FAX (207)998-5143
ENGINEER: A. Gen	To Suit 95mm Shaft Diameter PART NUMBER: SGR-95.0-UKIT-2A4 REV A